

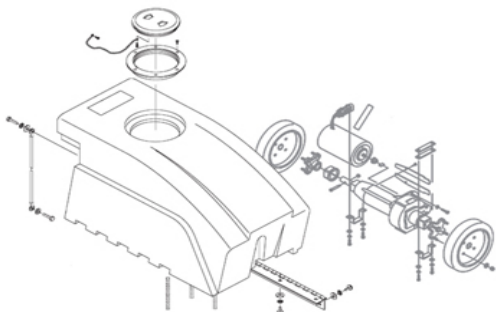


# Marksman™ 412

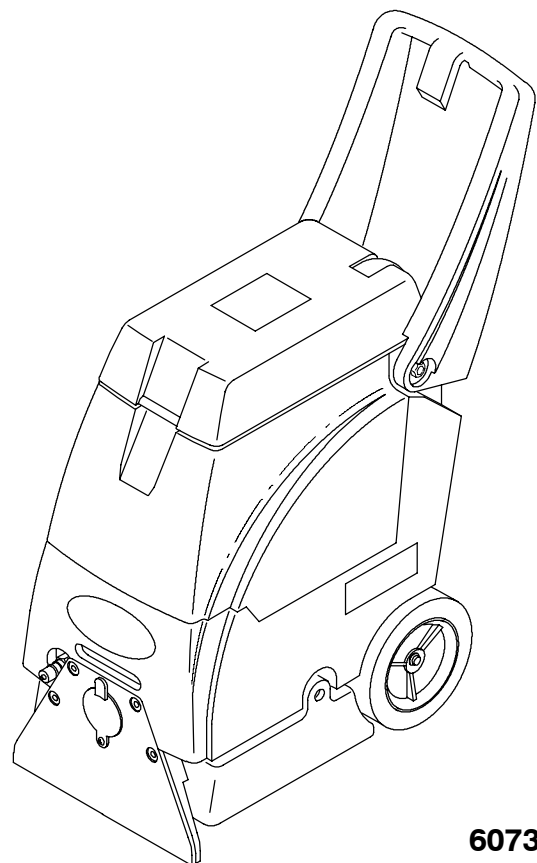
Portable Carpet Extractor  
Extractor Portátil de Alfombras  
Extracteur de moquette

Model No.:  
611459 - 120V CSA

Operator and Parts Manual  
Manual del Operador y Piezas  
Opérateur Manuel et Liste Des Pièces



**FLOOREQUIPMENTPARTS.COM**



607301  
Rev. 04 (01-2006)



# OPERATION

---


This manual is furnished with each new model. It provides necessary operation and maintenance instructions and an illustrated parts list.

**Read this manual completely and understand the machine before operating or servicing it.**

Use the illustrated Parts Lists to order parts. Before ordering parts or supplies, be sure to have your machine model number and serial number handy. Parts and supplies may be ordered by phone or mail from any authorized parts and service center, distributor or from any of the manufacturer's subsidiaries.


This machine will provide excellent service. However, the best results will be obtained at minimum costs if:

- The machine is operated with reasonable care.
- The machine is maintained regularly - per the maintenance instructions provided.
- The machine is maintained with manufacturer supplied or equivalent parts.



**PROTECT THE ENVIRONMENT**

Please dispose of packaging materials, old machine components such as batteries, hazardous fluids such as antifreeze and oil, in a safe environmentally way according to your local waste disposal regulations.



Always remember to recycle.

---

## MACHINE DATA

---

Please fill out at time of installation for future reference.

Model No.- \_\_\_\_\_

Install. Date - \_\_\_\_\_

Serial No.- \_\_\_\_\_

### Tennant Company

PO Box 1452

Minneapolis, MN 55440

Phone: (800) 553-8033 or (763) 513-2850

[www.nobles.com](http://www.nobles.com)

The Nobles logo and the Marksman name are registered United States trademarks of Tennant Company.

Specifications and parts are subject to change without notice.

Copyright ©2000, 2001, 2004, 2006 Tennant Company. All rights reserved.  
Printed in U.S.A.

<b>TABLE OF CONTENTS</b>	<b>(ESPAÑOL....16)</b>	<b>(FRANÇAIS....29)</b>	
<b>SAFETY PRECAUTIONS</b> .....	<b>4</b>	<b>RECOMMENDED STOCK ITEMS</b> .....	<b>12</b>
GROUNDING INSTRUCTIONS .....	5	<b>TROUBLE SHOOTING</b> .....	<b>13</b>
<b>SAFETY LABELS</b> .....	<b>6</b>	<b>SPECIFICATIONS</b> .....	<b>14</b>
<b>MACHINE COMPONENTS</b> .....	<b>7</b>	<b>MACHINE DIMENSIONS</b> .....	<b>15</b>
<b>MACHINE SETUP</b> .....	<b>7</b>	<b>ELECTRICAL DIAGRAMS</b> .....	<b>42</b>
<b>MACHINE OPERATION</b> .....	<b>8</b>	120V WIRING DIAGRAM .....	42
PRE-OPERATION .....	8	120V LADDER DIAGRAM .....	43
CLEANING CARPETS .....	8	220V/230V WIRING DIAGRAM .....	44
WHILE OPERATING MACHINE .....	8	220V/230V LADDER DIAGRAM .....	45
CLEANING WITH ACCESSORY TOOLS ...	9	240V WIRING DIAGRAM .....	46
<b>DRAINING TANKS</b> .....	<b>9</b>	240V LADDER DIAGRAM .....	47
DRAINING RECOVERY TANK .....	9	<b>PARTS LIST</b> .....	<b>48</b>
DRAINING SOLUTION TANK .....	10	SOLUTION TANK GROUP .....	48
<b>MACHINE MAINTENANCE</b> .....	<b>10</b>	RECOVERY TANK GROUP .....	50
DAILY MAINTENANCE .....	10	HANDLE GROUP .....	52
WEEKLY MAINTENANCE .....	11	REAR PANEL GROUP .....	54
MONTHLY MAINTENANCE .....	11	BRUSH GROUP .....	56
QUARTERLY MAINTENANCE .....	12	SOLUTION GROUP .....	58
<b>STORING MACHINE</b> .....	<b>12</b>	<b>OPTIONS</b> .....	<b>60</b>
		HAND TOOL .....	60

# OPERATION

---

---


## SAFETY PRECAUTIONS

---

This machine is intended for commercial use. It is designed exclusively to clean carpet and upholstery in an indoor environment and is not constructed for any other use. Use only recommended accessory tools and commercially available carpet cleaners intended for machine application.

All operators must read, understand and practice the following safety precautions.

The following warning alert symbol and the "FOR SAFETY" heading are used throughout this manual as indicated in their description:

 **WARNING:** To warn of hazards or unsafe practices which could result in severe personal injury or death.

**FOR SAFETY:** To identify actions which must be followed for safe operation of equipment.

---

Failure to follow these warnings may result in personal injury, electrical shock, fire or explosion.

 **WARNING:** Fire Or Explosion Hazard:

- **Never Use Flammable Liquids Or Operate Machine in Or Near Flammable Liquids, Vapors Or Combustible Dusts.**


*This machine is not equipped with explosion proof motors. The electric motors will spark upon start up and during operation which could cause a flash fire or explosion if machine is used in an area where flammable vapors/liquids or combustible dusts are present.*

- **Do Not Pick Up Flammable Materials Or Reactive Metals.**

 **WARNING:** Electrical Hazard. Do Not Operate With Damaged Power Cord. Do Not Modify Plug. Unplug power Cord Before Servicing Machine.

If the supply cord is damaged or broken, it must be replaced by the manufacturer or it's service agent or a similarly qualified person in order to avoid a hazard.

 **WARNING:** Spinning Brush. Keep Hands Away. Turn Off Power Before Working On Machine.

 **WARNING:** Electrical Shock Hazard. Do Not Use Outdoors. Do Not Expose To Rain. Store Indoors.

---

The following information signals potentially dangerous conditions to the operator or equipment:

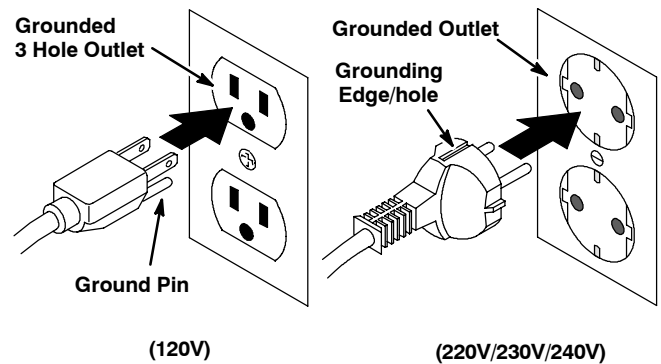
**FOR SAFETY:**

1. **Do not operate machine:**
  - With flammable liquids or near flammable vapors as an explosion or flash fire may occur.
  - Unless trained and authorized.
  - Unless operator manual is read and understood.
  - Unless cord is properly grounded.
  - With damaged cord or plug.
  - If not in proper operating condition.
  - In outdoor areas.
  - In standing water.
  - 120V/220/230V models - With the use of an extension cord.
  - 120V models - With the use of additional extension cords. Only use manufacturer's extension cord equipped with machine which has proper capacity and is grounded.
2. **Before operating machine:**
  - Make sure all safety devices are in place and operate properly.
  - Place wet floor signs as needed.
3. **When using machine:**
  - Do not run machine over cord.
  - Do not pull machine by plug or cord.
  - Do not pull cord around sharp edges or corners.
  - Do not unplug by pulling on cord.
  - Do not stretch cord.
  - Do not handle plug with wet hands.
  - Keep cord away from heated surfaces.
  - Report machine damage or faulty operation immediately.
  - Follow mixing and handling instructions on chemical containers
  - Never allow children to play on or around.

4. Before leaving or servicing machine:
  - Turn off machine.
  - Unplug cord from wall outlet.
5. When servicing machine:
  - Unplug cord from wall outlet.
  - Avoid moving parts. Do not wear loose jackets, shirts, or sleeves.
  - Use manufacturer supplied or approved replacement parts.
  - All repairs must be performed by a qualified service person.
  - Do not modify the machine from its original design.
6. When transporting machine:
  - Get assistance when lifting machine.
  - Unplug cord from wall outlet.
  - Use tie-down straps to secure machine to truck or trailer.

## GROUNDING INSTRUCTIONS

Machine must be grounded. If it should malfunction or breakdown, grounding provides a path of least resistance for electrical current to reduce the risk of electrical shock. This machine is equipped with a cord having an equipment-grounding conductor and grounding plug. The plug must be plugged into an appropriate outlet that is properly installed in accordance with all local codes and ordinances. Do not remove ground pin; if missing, replace plug before use.



# OPERATION

## SAFETY LABELS

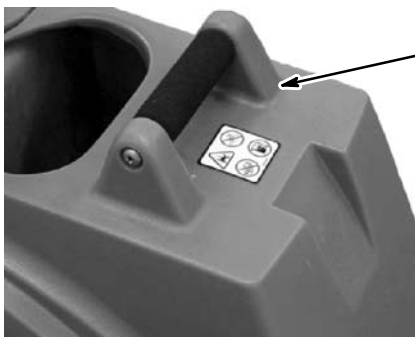
The safety labels appear on the machine in the locations indicated. Replace labels if they are missing or become damaged or illegible.

### WARNING LABEL - Located on top of machine.



	<b>⚠ WARNING</b>	<b>⚠ AVERTISSEMENT</b>	<b>⚠ ADVERTENCIA</b>
	<b>EXPLOSION, FIRE AND SHOCK HAZARD. AVOID INJURY.</b>	<b>RISQUE D'EXPLOSION, D'INCENDIE ET DE DÉCHARGE. ÉVITEZ LES BLESSURES.</b>	<b>PELIGRO DE EXPLOSIÓN, FUEGO, DESCARGA EVITE LESIONES.</b>
	<b>Do Not Use or Pick Up Flammable Materials.</b>	<b>• N'utilisez Pas ou Ne Ramassez Pas de Matériaux Inflammables.</b>	<b>• No Use O Recoja Materiales Flamables.</b>
	<b>Do Not Use Near Flammable Liquids, Vapors or Combustible Dusts.</b>	<b>• N'utilisez Pas Près de Liquides, Vapeurs ou Poussières Inflammables.</b>	<b>• No Use Cerca De Líquidos Flamables, Vapores O Materiales Combustibles.</b>
	<b>Do Not Operate With Damaged Power Cord. Do Not Modify Plug. Unplug Power Cord Before Servicing Machine.</b>	<b>• N'utilisez Pas la Machine Avec un Cordon d'Alimentation Endommagé. Ne Modifiez Pas la Prise. Débranchez le Cordon d'Alimentation Avant d'Entretenir la Machine.</b>	<b>• No Use Con Cable De Corriente Dañado. No Altere El Enchufe. Desconecte Cable De Corriente Antes Del Mantenimiento.</b>
	<b>Do Not Use Outdoors. Do Not Expose to Rain. Store Indoors.</b>	<b>• N'utilisez Pas en Extérieur. N'Exposez Pas à la Pluie. Entrezposez à l'Intérieur.</b>	<b>• No Use Al Aire Libre. No Exponga A La Lluvia. Guarde Bajo Techo.</b>

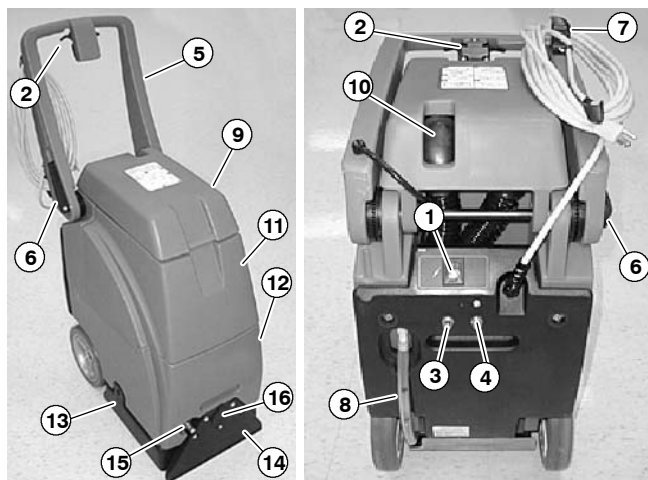
1026383



**FLAMMABLE MATERIALS/ SPILLS LABEL** - Located near solution tank fill port and on recovery tank lid.

**⚠ WARNING: Do Not Use Flammable Liquids Or Operate Machine In Or Near Flammable Liquids, Vapors Or Combustible Dusts. Do Not Pick Up Flammable Materials Or Reactive Metals.**

## MACHINE COMPONENTS



1. Main Power ON/OFF Switch
2. Brush/Solution Triggers
3. Pump Reset Button
4. Brush Reset Button
5. Folding Handle
6. Folding Handle Lock Lever
7. Power Cord Hooks
8. Solution Tank Drain Hose with Solution Level Markers
9. Recovery Tank Cover
10. Recovery Sight Window
11. Recovery Tank
12. Solution tank
13. Floating Brush Base
14. Pick-Up Head
15. Accessory Tool Solution Hose Coupler
16. Accessory Tool Vacuum Hose Port

## MACHINE SETUP

1. Carefully check carton for signs of damage. Report damages at once to carrier. The machine is shipped fully assembled and is ready for use.
2. Adjust handle from transport position. To adjust, pull handle lock lever outward and lift handle to desired operating height, re-lock lever (Figure 1).



FIG. 1

3. Hinge open cover and remove recovery tank from machine. Make sure the float shut-off screen and solution tank strainer are in place before use (Figure 2)



FIG. 2

4. Using a clean bucket or hose, fill solution tank with 15 L (4 gal) of hot water, 60°C (140°F) maximum (Figure 3). Observe solution tank hose at rear of machine when filling. The hose indicates the amount of water in solution tank (Figure 3).

**ATTENTION: Do not use recovery tank to fill solution tank. Residual dirt or debris could cause damage to solution pump.**

**⚠ WARNING: Do Not Use Flammable Liquids Or Operate Machine In Or Near Flammable Liquids, Vapors Or Combustible Dusts.**



FIG. 3

5. Add a recommended cleaning chemical.

**FOR SAFETY: When using machine, follow mixing and handling instructions on chemical containers.**

**ATTENTION: If using powered cleaning chemicals, mix prior to adding.**

**NOTE: If desired, water alone achieves excellent cleaning results.**

6. Replace recovery tank and close cover after filling.

## OPERATION

7. Plug machine's power cord into a grounded wall outlet (Figure 4).

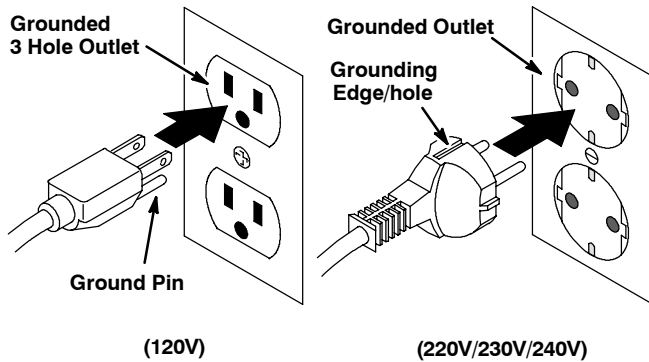


FIG. 4

**FOR SAFETY: Do not operate machine unless cord is properly grounded.**

## MACHINE OPERATION

**FOR SAFETY: Do not operate machine unless operator manual is read and understood.**

### PRE-OPERATION

1. Vacuum carpet and remove other debris.
2. Perform MACHINE SETUP procedures.
3. Inspect power cord for damage.

**⚠ WARNING: Do Not Operate With Damaged Power Cord. Do Not Modify Plug. Unplug power Cord Before Servicing Machine.**

If the supply cord is damaged or broken, it must be replaced by the manufacturer or it's service agent or a similarly qualified person in order to avoid a hazard.

### CLEANING CARPETS

**⚠ WARNING: Do Not Use Flammable Liquids Or Operate Machine In Or Near Flammable Liquids, Vapors Or Combustible Dusts.**

1. Turn main power switch on (Figure 5).

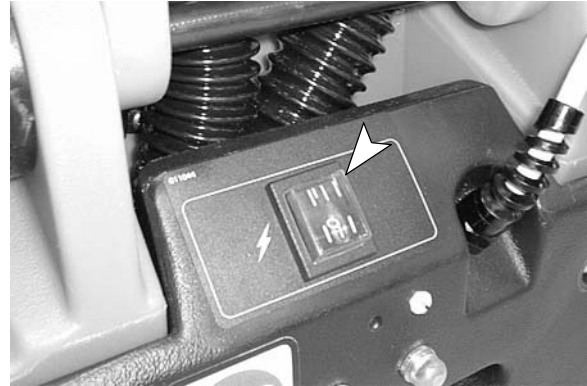


FIG. 5

2. To begin cleaning carpets, pull triggers and slowly pull machine backwards (Figure 6).

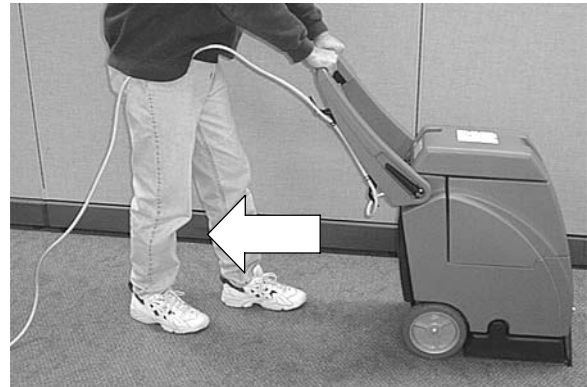


FIG. 6

3. Release triggers at end of path and continue to pull machine to pick up excess solution.
4. Tip machine back on wheels and push machine forward to begin next path.

**FOR SAFETY: When using machine, do not run machine over cord, do not pull machine by plug or cord, do not pull cord around sharp edges or corners, do not unplug by pulling on cord and do not handle plug with wet hands.**

### WHILE OPERATING MACHINE

1. Overlap each path by 50 mm (2 in).

**⚠ WARNING: Do Not Pick Up Flammable Materials Or Reactive Metals.**

2. Work away from wall outlet and power cord to prevent cord damage.
3. Periodically check for excessive foam buildup in recovery tank. Use a recommended foam control solution to prevent vacuum motor damage.

**ATTENTION: Do not allow foam to enter float shut-off screen. Foam will damage vacuum motor. Damage caused by foam is not covered by warranty.**



- If brush stops, the circuit breaker may have been tripped. Unplug power cord, check brush for obstruction. Push brush reset button to resume (Figure 7).



FIG. 7

- To clean heavily soiled areas, repeat cleaning path from different direction.
- Observe recovery site window, when recovery appears to stop, drain recovery tank (See DRAINING TANKS).

## CLEANING WITH ACCESSORY TOOLS

- Connect accessory tool hoses to solution hose coupler and vacuum hose port located at front of machine (Figure 8).

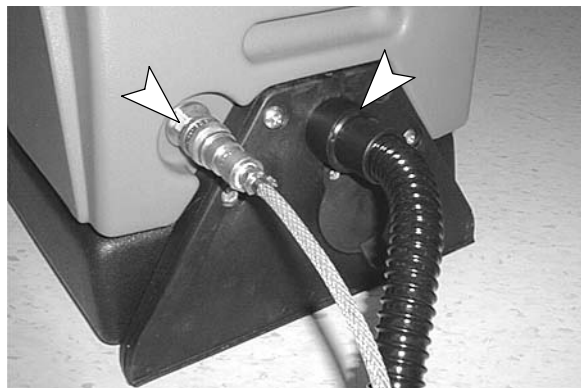


FIG. 8

- Turn main power switch on (Figure 9).



FIG. 9

- Operate accessory tools as normal (Figure 10).

**NOTE:** When cleaning upholstery, always check cleaning instructions sewn in furniture by manufacturer.



FIG. 10

**⚠ WARNING: Do Not Pick Up Flammable Materials Or Reactive Metals.**

- After cleaning, relieve water pressure from tool before disconnecting hose. Squeeze trigger for five seconds after turning main power switch off.

## DRAINING TANKS

**FOR SAFETY: Before leaving or servicing machine, turn off machine and unplug cord from wall outlet.**

### DRAINING RECOVERY TANK

- Turn machine off and unplug power cord.
- Hinge open cover, lift recovery tank out and empty (Figure 11).



FIG. 11

**NOTE:** Make sure to rinse out recovery tank before refilling solution tank.

# OPERATION

## DRAINING SOLUTION TANK

1. Pull solution tank drain hose off of hose barb at rear of machine and empty remaining solution (Figure 12).



FIG. 12

2. Replace drain hose.

## MACHINE MAINTENANCE

To keep machine in good working condition, simply follow machine's daily, weekly and monthly maintenance procedures.

**FOR SAFETY: Before leaving or servicing machine, turn off machine and unplug cord from wall outlet.**

**ATTENTION: Contact an Authorized Service Center for machine repairs. Machine repairs performed by other than an authorized person will void the warranty.**

## DAILY MAINTENANCE (Every 4 Hours of Use)

1. Empty and rinse out recovery tank thoroughly (Figure 13).



FIG. 13

2. Remove float shut-off screen from recovery tank cover and clean (Figure 14).



FIG. 14

3. Drain remaining water from solution tank (Figure 15).



FIG. 15

4. Clean solution tank fill port strainer.
5. Remove any entangled carpet fibers and debris from brush (Figure 16).



FIG. 16

- Remove any debris lodged in pick up head (Figure 17).

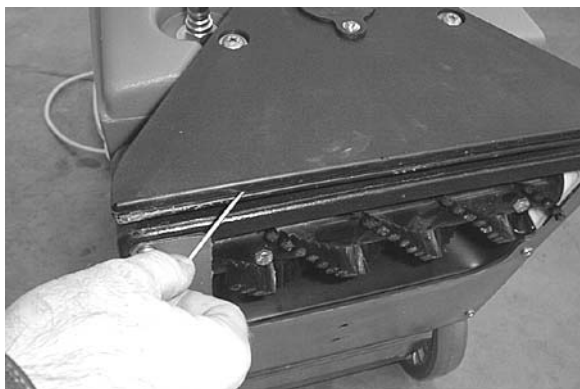


FIG. 17

- Wipe off power cord and check for damage, replace if necessary. Coil cord neatly after use.
- Clean machine with an all purpose cleaner and damp cloth (Figure 18).



FIG. 18

## WEEKLY MAINTENANCE (Every 20 Hours of Use)

- Inspect vacuum hoses for holes and loose cuffs.
- Inspect spray pattern for plugging. If plugged, remove spray tips and soak them in a recommended liquid neutralizer for up to six hours. To remove spray tip, twist spray tip body counter-clockwise. Do not use pointed objects to unplug tips, damage will occur (Figure 19).

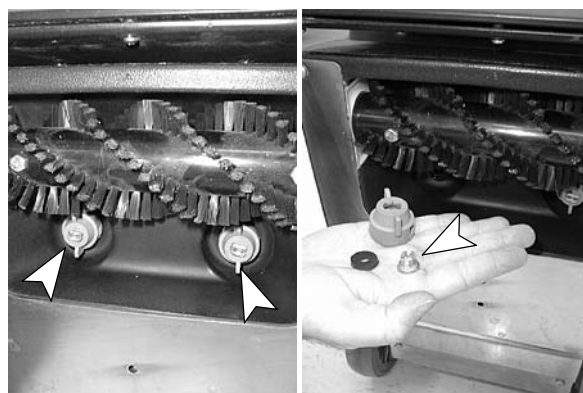


FIG. 19

**FOR SAFETY: When using machine, follow mixing and handling instructions on chemical containers.**

- Inspect cord and cord grip for damage. Replace immediately if damaged.

**⚠ WARNING: Do Not Operate With Damaged Power Cord. Do Not Modify Plug. Unplug power Cord Before Servicing Machine.**

**If the supply cord is damaged or broken, it must be replaced by the manufacturer or it's service agent or a similarly qualified person in order to avoid a hazard.**

## MONTHLY MAINTENANCE (Every 80 Hours of Use)

- Flush solution system with a recommended liquid neutralizer to dissolve normal chemical buildup.
  - Pour 7.5L (2 gal) of hot water 60°C (140°F) into solution tank. Add a liquid neutralizer according to mixing instructions on bottle.

**NOTE:** Contact your chemical supplier for a recommended neutralizer liquid.

**FOR SAFETY: When using machine, follow mixing and handling instructions on chemical containers.**

- Position brush over floor drain and operate machine for one minute.
  - Then connect hand tool solution hose to machine and also over a floor drain operate tool for one minute.
  - Shut off machine and allow remaining solution to break down chemical buildup overnight.
  - Next day, spray out remaining solution and flush system with 11L (3 gal) of clean water.
- Lubricate wheels with a water resistant oil.
  - Inspect machine for water leaks and loose hardware.

# OPERATION

---

---

## QUARTERLY MAINTENANCE (Every 250 Hours of Use)

Check motor(s) for carbon brush wear, replace brushes if worn to a length of 10mm (0.38 in) or less.

Contact your Authorized Service Center for carbon brush inspection.

**FOR SAFETY: When servicing machine all repairs must be performed by a qualified service person.**

---

## STORING MACHINE

---

1. Before storing machine, be certain to drain and rinse tanks of all water.
2. Store machine in a dry area in the upright position.
3. Open recovery tank cover to promote air circulation.

**⚠ WARNING: Do Not Use Outdoors. Do Not Expose To Rain. Store Indoors.**

**ATTENTION: If storing machine in freezing temperatures, be sure that machine and solution system are completely drained and dry.**

---

## RECOMMENDED STOCK ITEMS

---

Refer to Parts List section for recommended stock items. Stock Items are clearly identified with a bullet preceding the parts description. See example below:

Ref.	Part No.	Description	Qty.
1	201103	ASML STANDPIPE	1
2	180618	● FLOAT, SHUTOFF	1
3	230197	NIPPLE	1
4	101714	● GASKET	1
5	210240	NUT, FLANGED	1

**TROUBLE SHOOTING**

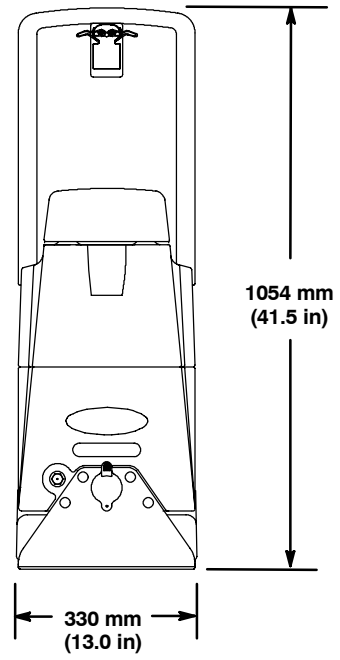
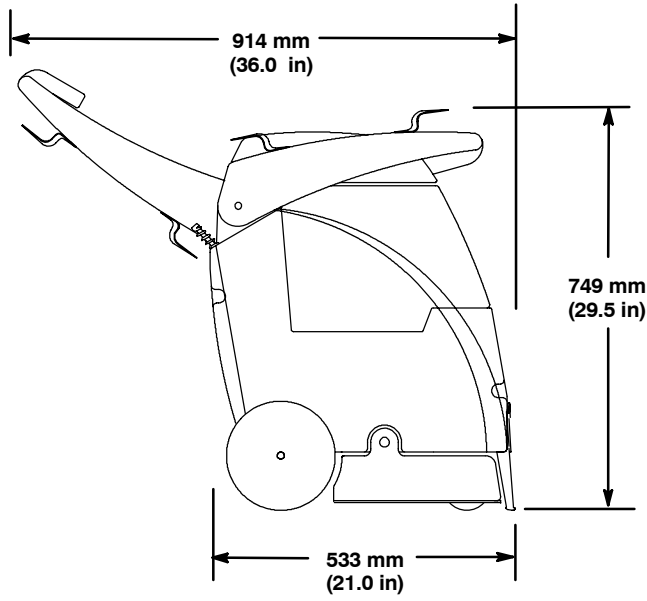
<b>PROBLEM</b>	<b>CAUSE</b>	<b>SOLUTION</b>
Machine does not operate.	Faulty switches or wiring.	Contact Service Center.
	Faulty power cord.	Contact Service Center.
	Building circuit breaker tripped.	Reset breaker.
Brush motor does not operate.	Brush motor circuit breaker tripped.	Let motor cool and reset brush motor breaker button at rear of machine.
	Triggers not pulled.	Pull brush/solution triggers.
	Loose or broken brush belt.	Contact Service Center.
	Faulty trigger switch or wiring.	Contact Service Center.
	Faulty brush motor.	Contact Service Center.
Solution pump does not operate.	Solution pump circuit breaker tripped.	Let pump cool and reset pump breaker button at rear of machine.
	Triggers not pulled.	Pull brush/solution triggers.
	Faulty trigger switch or wiring.	Contact Service Center.
	Faulty solution pump motor.	Contact Service Center.
Vacuum motor does not operate.	Loose or broken wiring.	Contact Service Center.
	Faulty main power switch.	Contact Service Center.
	Defective vacuum motor.	Contact Service Center.
	Worn carbon brushes.	Contact Service Center.
Poor solution pick-up.	Defective recovery tank cover gasket.	Replace gasket.
	Clogged float shut-off screen.	Open recovery tank cover and clean lint off screen.
	Accessory tool vacuum hose port cover is loose or missing.	Check vacuum hose port cover.
	Loose vacuum hose connections.	Secure connections under cover.
	Defective vacuum hose.	Replace hose.
	Loose vacuum hose cuffs.	Secure cuffs to hose.
	Pulling machine too fast.	Slow down cleaning process.
Uneven or no spray.	Plugged spray tips.	Clean or replace tips.
	Improper spray tip size or spray angle.	Replace with proper tips.
	Clogged solenoid valve.	Contact Service Center.
	Worn spray tips.	Replace spray tips.
	Solution tank low or empty.	Refill solution tank.
	Faulty solution pump.	Contact Service Center.
	Pump needs priming.	Prime pump by pressing solution hose coupler tip located at front of machine.

# OPERATION

## SPECIFICATIONS

<b>Model</b>	<b>Marksman™ 412</b>
LENGTH	533 mm (21 in) with handle folded
WIDTH	330 mm (13 in)
HEIGHT	749 mm (29.5 in) with handle folded
WEIGHT	27 Kg (60 lb)
SOLUTION TANK CAPACITY	15 L (4 gal)
RECOVERY TANK CAPACITY	15 L (4 gal)
CLEANING PATH WIDTH	273 mm (10.75 in)
MAXIMUM CLEANING RATE	130 m <sup>2</sup> (1,400 sq. ft.) per hour
BRUSH MOTOR	120VDC, 0.1HP, .75A, 90W, 1800 rpm - no load 220/230/240VDC, 0.1HP, .38A, 90W, 1800 rpm - no load
BRUSH SPEED	1038 rpm - no load
SOLUTION PUMP	120 VAC, 4.5 bar (65 psi) At Spray Tip: 2.65 LPM (0.7 GPM), 2.8 bar (41 psi), .28A 220/230/240 VAC, 4.5 bar (65psi) At Spray Tip: 2.27 LPM (0.6 GPM), 3.0 bar (44 psi), .35A
VACUUM MOTOR	120V, 1.5 HP, 9.1A, 1092W, 2 stage, 103 cfm 220V/230V, 1.4 HP, 4.7A, 1046W, 2 stage, 105 cfm 240V, 1.5 HP, 5.0A, 1138W, 2 stage, 111 cfm
SEALED WATER LIFT	120V model -2324 mm (91.5 in) 220V/230V/240 V model -2514 mm (99in)
TOTAL POWER CONSUMPTION	120V, 10.6 A, 1272 W 220V/230V/240 V, 5.4A, 1207 W
POWER CORD	7.6 M (25 ft.) 16/3-120V, 3X1.5MM <sup>2</sup> X 15M (50 ft) -220V/230V
DECIBEL RATING AT OPERATOR'S EAR, INDOORS ON CARPET	<72 dB(A)

MACHINE DIMENSIONS



# OPERACIÓN

Este manual se proporciona con cada nuevo modelo. Proporciona instrucciones necesarias de mantenimiento y lista ilustrada de piezas.

**Antes de operar o prestar servicio a la máquina, lea completamente este manual y entienda la máquina.**

Para ordenar piezas use las Listas Ilustradas de las Piezas. Asegúrese de tener listo el número de modelo y de serie de la máquina, antes de ordenar piezas o suministros. Las piezas y suministros pueden ordenarse por teléfono o por correo de cualquier centro autorizado de piezas y servicio, distribuidor o de cualquiera de las subsidiarias del fabricante.

Esta máquina proporcionará un servicio excelente. Sin embargo, los mejores resultados se obtienen a un costo mínimo si:

- La máquina se opera con un cuidado razonable.
- La máquina se mantiene con regularidad, según las instrucciones de mantenimiento provistas.
- La máquina se mantiene con las piezas provistas por el fabricante o equivalentes.

## DATOS DE LA MÁQUINA

Por favor complete al momento de la instalación para referencia futura.

No. de Modelo- \_\_\_\_\_

Fecha de instalación - \_\_\_\_\_

No. de Serie- \_\_\_\_\_



### PROTECCIÓN DEL MEDIO AMBIENTE

Deseche el material de embalaje, los componentes usados de la máquina como las baterías y los líquidos peligrosos como el anticongelante y el aceite, de forma segura para el medio ambiente, de acuerdo con las normativas o disposiciones locales.

No olvide reciclar.

## INDICE

<b>MEDIDAS DE SEGURIDAD</b> .....	17	<b>ALMACENAJE DE LA MÁQUINA</b> .....	25
INSTRUCCIONES DE CONEXION A TIERRA	18	<b>ARTICULOS RECOMENDADOS A MANTENER EN EXISTENCIA</b> .....	25
<b>ROTULOS DE SEGURIDAD</b> .....	19	<b>LOCALIZACIÓN DE FALLAS</b> .....	27
<b>COMPONENTES DE LA MÁQUINA</b> .....	20	<b>ESPECIFICACIONES</b> .....	28
<b>PREPARACION DE LA MÁQUINA</b> .....	20	<b>DIMENSIONES DE LA MÁQUINA</b> .....	28
<b>OPERACIÓN DE LA MÁQUINA</b> .....	21	<b>DIAGRAMAS ELECTRICAS</b> .....	42
PREOPERACIÓN .....	21	120V DIAGRAMA DE CABLEADO .....	42
LIMPIEZA DE ALFOMBRAS .....	21	120V DIAGRAMA ESCALONADO .....	43
AL OPERAR LA MÁQUINA .....	22	220V/230V DIAGRAMA DE CABLEADO ....	44
LIMPIEZA CON HERRAMIENTAS		220V/230V DIAGRAMA ESCALONADO ....	45
ACCESORIAS .....	22	240V DIAGRAMA DE CABLEADO .....	46
<b>TANQUES DE DRENAJE</b> .....	23	240V DIAGRAMA ESCALONADO .....	47
DRENAJE DE TANQUE DE RECUPERACIÓN	23	<b>LISTA DE PIEZAS</b> .....	48
DRENAJE DEL TANQUE DE SOLUCIÓN ...	23	GRUPO DEL TANQUE DE SOLUCIÓN .....	48
<b>MANTENIMIENTO DE LA MÁQUINA</b> .....	23	GRUPO DEL TANQUE DE RECUPERACIÓN	50
MANTENIMIENTO DIARIO .....	24	GRUPO DEL MANGO .....	52
MANTENIMIENTO SEMANAL .....	24	GRUPO DEL PANEL POSTERIOR .....	54
MANTENIMIENTO MENSUAL .....	25	GRUPO DEL CEPILLO .....	56
MANTENIMIENTO TRIMESTRAL .....	25	GRUPO DE SOLUCIÓN .....	58
		<b>OPCIONES</b> .....	60
		HERRAMIENTA MANUAL .....	60



## MEDIDAS DE SEGURIDAD

Esta máquina está diseñada para el uso comercial. Se ha diseñado exclusivamente para limpiar alfombras y tapizados en un ambiente interior y no se fabrica para ningún otro uso. Use sólo herramientas de accesorios recomendados y limpiadores de alfombras comercialmente disponibles formulados para la aplicación de la máquina.

Todos los operadores deben leer, entender y practicar las precauciones siguientes de seguridad.

El siguiente símbolo de alerta de advertencia y el encabezamiento de "PARA SEGURIDAD" se usan en este manual como se indica en su descripción:

**⚠ ADVERTENCIA:** Para advertir de riesgos o prácticas inseguras que podrían resultar en lesiones personales graves o la muerte.

**PARA SEGURIDAD:** Para identificar acciones que deben seguirse para el funcionamiento seguro del equipo.

El no seguir estas advertencias puede resultar en: lesiones personales, electrocución, choque eléctrico, fuego o explosión.

**⚠ ADVERTENCIA:** Peligro Del Fuego O De la Explosión:

- No use líquidos inflamables ni opere la máquina en o cerca de líquidos y vapores inflamables o polvos combustibles.

*Esta máquina no está equipada con motores a prueba de explosión. Los motores eléctricos emiten chispas al arrancar y durante el funcionamiento lo que podría causar un fuego explosivo o explosión si la máquina se usa en una área donde están presentes vapores/líquidos inflamables o polvos combustibles.*

- No aspire materiales inflamables o metales reactivos.

**⚠ ADVERTENCIA:** No opere con un cordón eléctrico dañado. No modifique el enchufe. Desenchufe el cordón eléctrico antes de reparar la máquina.

Si el cordón del suministro se daña o se rompe, debe ser reemplazado por el fabricante o su agente de servicio o una persona similarmente calificada para evitar un riesgo.

**⚠ ADVERTENCIA:** No use al aire libre o en superficies húmedas. No exponga a la lluvia. Almacén bajo techo.

La información siguiente señala condiciones potencialmente peligrosas para el operador o el equipo:

**PARA SEGURIDAD:**

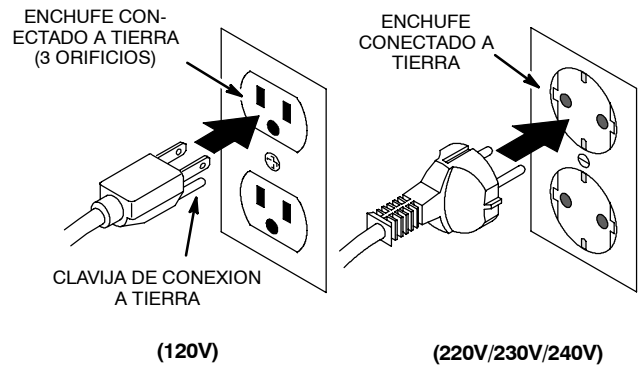
1. No opere la máquina:
  - Con líquidos inflamables o cerca de los vapores inflamables ya que puede ocurrir una explosión o fuego explosivo.
  - A menos que está capacitado y autorizado.
  - A menos que se haya leído y entendido el manual del funcionamiento.
  - A menos que el cordón se conecte apropiadamente a tierra.
  - Con un cordón o enchufe dañados.
  - Si no está en condición de ejecutar una operación apropiada.
  - En áreas al aire libre.
  - En agua estancada.
  - Sin bolsa del polvo en lugar.
  - 120V/220/230V models - Con el uso de una cuerda de la extensión.
  - 120V/240V models - Con el uso de las cuerdas adicionales de la extensión. Utilice solamente la cuerda de la extensión del fabricante equipada de la máquina que tiene capacidad apropiada y se pone a tierra.
2. Antes de arrancar la máquina:
  - Asegúrese que todos los dispositivos de seguridad están en su lugar y operando apropiadamente.
  - Coloque señales de piso húmedo según se necesite.
3. Al usar máquina:
  - No pase la máquina encima del cordón.
  - No tire de la máquina por el enchufe o el cordón.
  - Evite pasar el cable por bordes agudos o esquinas.
  - No desenchufe tirando del cordón.
  - No estire el cordón.
  - No maneje el enchufe con las manos húmedas.
  - Mantenga el cordón lejos de las superficies calientes.
  - Informe inmediatamente acerca de daños o un funcionamiento defectuoso.

# OPERACIÓN

- Siga las instrucciones de mezcla y manejo indicados en los recipientes químicos.
  - Nunca permita que los niños jueguen en o alrededor de la máquina.
4. Antes de salir de o reparar la máquina:
- Apague la máquina.
  - Desenchufe cordón del tomacorriente de la pared.
5. Al prestar servicio a la máquina:
- Desenchufe cordón del tomacorriente de la pared.
  - Evite las piezas móviles. No use chaquetas, camisas, o mangas, holgadas.
  - Use piezas de repuesto provistas o aprobadas por el fabricante.
  - Todas las reparaciones deben ser realizadas por una persona de servicio calificada.
  - No modifique la máquina de su diseño original.
6. Al transportar máquina:
- Obtenga ayuda al alzar la máquina.
  - Desenchufe cordón del tomacorriente de la pared.
  - Use correas de amarre para asegurar la máquina al camión o remolque.

## INSTRUCCIONES DE CONEXION A TIERRA

La máquina debe conectarse a tierra. En caso de mal funcionamiento o desarreglo, la conexión a tierra provee un recorrido de menor resistencia para la corriente eléctrica para reducir el riesgo de choque eléctrico. Esta máquina está equipada con un cordón con un conductor de conexión a tierra del equipo y enchufe de conexión a tierra. El enchufe debe enchufarse en un tomacorrientes apropiado correctamente instalado de acuerdo con todos los códigos y ordenanzas locales. No extraer la clavija de conexión a tierra; si falta, reemplazar el enchufe antes de usar.



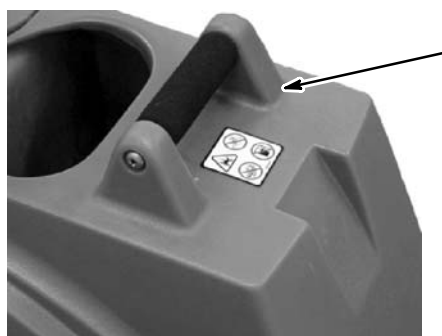
## ROTULOS DE SEGURIDAD

Los rótulos de seguridad aparecen en la máquina en las ubicaciones indicadas. Si los rótulos se dañan o son ilegibles, reempácelos.

**ETIQUETA DE ADVERTENCIA** - Ubicada encima de la máquina.



⚠️ WARNING	⚠️ AVERTISSEMENT	⚠️ ADVERTENCIA
 <p><b>EXPLOSION, FIRE AND SHOCK HAZARD. AVOID INJURY.</b></p> <ul style="list-style-type: none"> <li>• Do Not Use or Pick Up Flammable Materials.</li> <li>• Do Not Use Near Flammable Liquids, Vapors or Combustible Dusts.</li> <li>• Do Not Operate With Damaged Power Cord. Do Not Modify Plug. Unplug Power Cord Before Servicing Machine.</li> <li>• Do Not Use Outdoors. Do Not Expose to Rain. Store Indoors.</li> </ul>	<p><b>RISQUE D'EXPLOSION, D'INCENDIE ET DE DÉCHARGE. ÉVITEZ LES BLESSURES.</b></p> <ul style="list-style-type: none"> <li>• N'utilisez Pas ou Ne Ramassez Pas de Matériaux Inflammables.</li> <li>• N'utilisez Pas Près de Liquides, Vapeurs ou Poussières Inflammables.</li> <li>• N'utilisez Pas la Machine Avec un Cordon d'Alimentation Endommagé. Ne Modifiez Pas la Prise. Débranchez le Cordon d'Alimentation Avant d'Entretenir la Machine.</li> <li>• N'utilisez Pas en Extérieur. N'Exposez Pas à la Pluie. Entrezposez à l'Intérieur.</li> </ul>	<p><b>PELIGRO DE EXPLOSIÓN, FUEGO, DESCARGA EVITE LESIONES.</b></p> <ul style="list-style-type: none"> <li>• No Use Ó Recoja Materiales Flamables.</li> <li>• No Use Cerca De Líquidos Flamables, Vapores Ó Materiales Combustibles.</li> <li>• No Use Con Cable De Corriente Dañado. No Altere El Enchufe. Desconecte Cable De Corriente Antes Del Mantenimiento.</li> <li>• No Use Al Aire Libre. No Exponga A La Lluvia. Guarde Bajo Techo.</li> </ul>

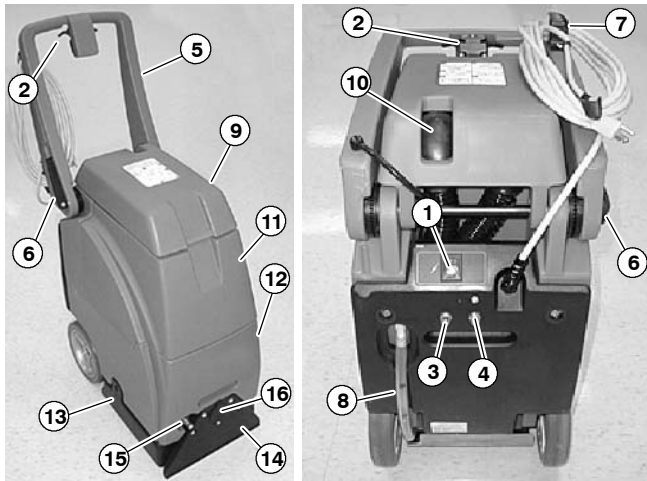


**ROTULO DE MATERIALES INFLAMABLES/DERRAMES**  
 - Ubicado cerca del orificio de llenado del tanque de solución y sobre la tapa del tanque de recuperación.

**⚠️ ADVERTENCIA:** No use líquidos inflamables ni opere la máquina en o cerca de líquidos y vapores inflamables o polvos combustibles. No aspire materiales inflamables o metales reactivos.

# OPERACIÓN

## COMPONENTES DE LA MÁQUINA



1. Conmutador de apagado/encendido, principal
2. Gatillo de cepillo/solución
3. Botón de regradación del bombeo
4. Botón de regradación del cepillo
5. Mango para plegar
6. Palanca de traba del mango para plegar
7. Ganchos del cordón eléctrico
8. Manguera de drenaje del tanque de solución con marcadores del nivel de solución.
9. Cubierta del tanque de recuperación
10. Mirilla del tanque de recuperación
11. Tanque de recuperación
12. Tanque de solución
13. Base flotante del cepillo
14. Cabezal de aspiración
15. Acople de la manguera de solución de la herramienta accesoria
16. Orificio de la manguera de aspiración de la herramienta accesoria

## PREPARACION DE LA MÁQUINA

1. Inspeccione cuidadosamente la caja por señales de daños. Informe inmediatamente al transportista si hubiera daños. La máquina se envía completamente ensamblada y lista para usar.
2. Ajuste el mango de la posición de transporte. Para ajustar, tire de la palanca de traba del mango y levante el mango a la altura deseada de operación, vuelva a trabar la palanca (Figura 1)



FIG. 1

3. Abra la cubierta y extraiga el tanque de recuperación de la máquina. Antes de usar, asegúrese que el tamiz flotante de corte y el tamiz del tanque de solución estén en su lugar (Figura 2).



FIG. 2

4. Usando un balde limpio o una manguera, llene el tanque de solución con 15 L (4 gal.) de agua caliente, 60°C (140°F) máximo. Al llenar, observe la manguera del tanque de solución en la parte posterior de la máquina. La manguera indica la cantidad de agua en el tanque de solución (Figura 3).

**ATENCIÓN: No use el tanque de recuperación para llenar el tanque de solución. La suciedad o desechos residuales pueden causar daños a la bomba de solución.**

**⚠ ADVERTENCIA: No use líquidos inflamables ni opere la máquina en o cerca de líquidos y vapores inflamables o polvos combustibles.**



FIG. 3

5. Agregar el material químico de limpieza recomendado.

**PARA SEGURIDAD:** Al usar la máquina, observe las instrucciones de mezcla y manejo de los recipientes químicos.

**ATENCIÓN:** Si usa materiales químicos de limpieza en polvo, mezcle antes de agregar.

**NOTA:** Si se desea, el agua por sí misma logra resultados excelentes.

6. Vuelva a colocar el tanque de recuperación y cierre la cubierta después de llenar
7. Enchufe el cordón eléctrico de la máquina en un enchufe de pared conectado a tierra (Figura 4).

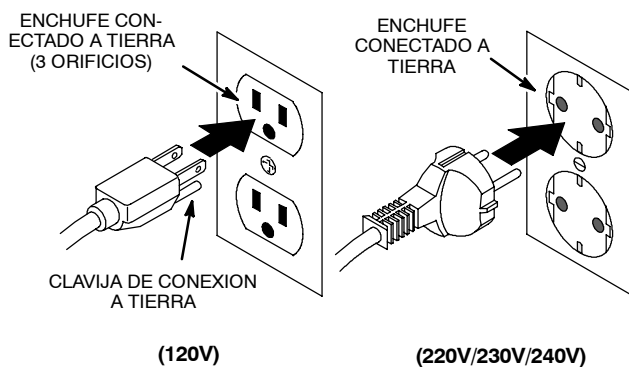


FIG. 4

**PARA SEGURIDAD:** No operar la máquina a menos que el cordón esté apropiadamente conectado a tierra .

## OPERACIÓN DE LA MÁQUINA

**PARA SEGURIDAD:** No opere la máquina a menos que haya leído y entendido el manual del operador.

### PREOPERACIÓN

1. Aspire la alfombra y limpie otros desechos.
2. Realice los procedimientos de la preparación de la máquina.
3. Inspeccione el cordón eléctrico por daños.

**⚠ ADVERTENCIA:** No opere con un cordón eléctrico dañado. No modifique el enchufe. Desenchufe el cordón eléctrico antes de reparar la máquina.

Si el cordón del suministro se daña o se rompe, debe ser reemplazado por el fabricante o su agente de servicio o una persona similarmente calificada para evitar un riesgo.

### LIMPIEZA DE ALFOMBRAS

**⚠ ADVERTENCIA:** No use líquidos inflamables ni opere la máquina en o cerca de líquidos y vapores inflamables o polvos combustibles.

1. Encienda el conmutador principal (Figura 5).

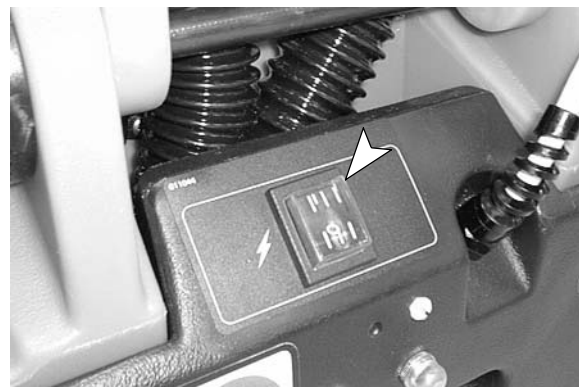


FIG. 5

# OPERACIÓN

2. Para empezar a limpiar las alfombras, apriete los disparadores y deslícelo lentamente hacia atrás (Figura 6).

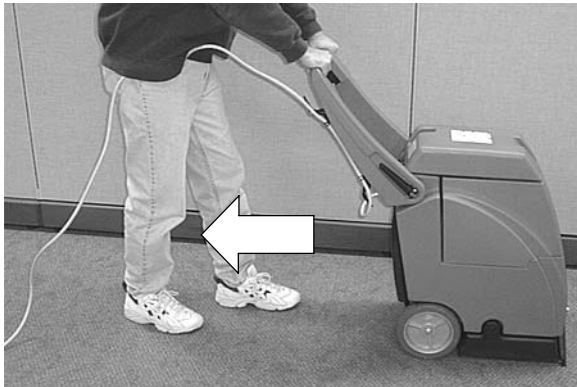


FIG. 6

3. Suelte los gatillos al final del recorrido y continúe tirando de la máquina para levantar el exceso de solución.
4. Inclíne la máquina hacia atrás sobre las ruedas y haga avanzar la máquina para comenzar el próximo recorrido.

**PARA SEGURIDAD: Al usar máquina, no pase la máquina encima del cordón. No tire de la máquina por el enchufe o el cordón. Evite pasar el cable por bordes agudos o esquinas. No desenchufe tirando del cordón. No maneje el enchufe con las manos húmedas.**

## AL OPERAR LA MÁQUINA

1. Superponga cada recorrido en 50 mm (2 pulg.)

**⚠ ADVERTENCIA: No aspire materiales inflamables o metales reactivos.**

2. Trabaje alejado del enchufe de pared y del cordón eléctrico para evitar daños al cordón.
3. Inspeccione periódicamente por una acumulación excesiva de espuma en el tanque de recuperación. Use una solución recomendada de control de espuma para prevenir daños al motor de aspiración.

**ATENCIÓN: No permita que se introduzca espuma o agua en el filtro de flotador de cierre porque podría averiarse el motor de aspiración; la garantía no cubre este tipo de averías. La espuma no activará el filtro del flotador de cierre.**

4. Si el cepillo se para, puede haberse activado el interruptor de circuito. Desenchufe el cordón eléctrico, inspeccione el cepillo por obstrucciones. Para arrancar oprima el botón de regraduar (Figura 7).

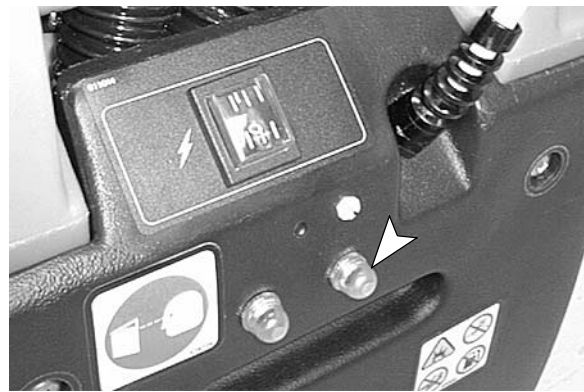


FIG. 7

5. Repita el recorrido de limpieza desde una dirección diferente, para limpiar áreas muy sucias.
6. Observe la mirilla del sitio de recuperación y drene el tanque de recuperación cuando parezca que la recuperación se ha interrumpido (Vea TANQUES DE DRENAJE).

## LIMPIEZA CON HERRAMIENTAS ACCESORIAS

1. Conecte las mangueras de las herramientas accesorias al acople de la manguera de solución y al orificio de la manguera de aspiración ubicados al frente de la máquina (Figura 8).

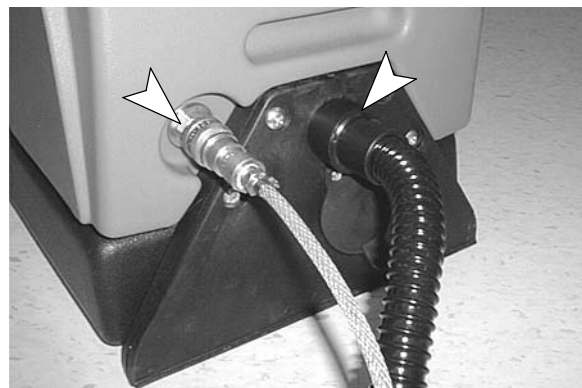


FIG. 8

2. Encienda el conmutador principal (Figura 9).



FIG. 9

3. Opere las herramientas accesorias de la manera normal (Figura 10).

**NOTA:** Lea siempre las instrucciones de limpieza cosidas por el fabricante en los muebles, al limpiar tapicería.



FIG. 10

**⚠ ADVERTENCIA:** No aspire materiales inflamables o metales reactivos.

4. Después de limpiar y antes de desconectar, corte la presión del agua de la herramienta. Oprima el gatillo por cinco segundos después de apagar los conmutador.

## TANQUES DE DRENAJE

**PARA SEGURIDAD:** Apague la máquina y desenchufe el cordón del tomacorrientes de la pared, antes de dejar o prestar servicio a la máquina.

### DRENAJE DE TANQUE DE RECUPERACIÓN

1. Apague la máquina y desenchufe el cordón eléctrico.
2. Abra la cubierta, levante el tanque de recuperación y vacíe (Figura 11).



FIG. 11

**NOTA:** Asegúrese de enjuagar el tanque de recuperación antes de llenar el tanque de solución.

### DRENAJE DEL TANQUE DE SOLUCIÓN

1. Extraiga la manguera de drenaje del tanque de solución, del adaptador de manguera, en la parte posterior de la máquina y vacíe la solución restante (Figura 12).



FIG. 12

2. Vuelva a colocar la manguera de drenaje.

## MANTENIMIENTO DE LA MÁQUINA

Para mantener la máquina en buenas condiciones de trabajo, simplemente siga los procedimientos diarios, semanales y mensuales, de mantenimiento.

**PARA SEGURIDAD:** Apague la máquina y desenchufe el cordón del tomacorrientes de la pared, antes de dejar o prestar servicio a la máquina.

**ATENCIÓN:** Póngase en contacto con un Centro de Servicio autorizado para reparar las máquinas. Las reparaciones de máquinas realizadas por personas no autorizadas invalidarán la garantía.

# OPERACIÓN

## MANTENIMIENTO DIARIO (Cada 4 horas de uso)

1. Vacíe y enjuague bien el tanque de recuperación (Figura 13).



FIG. 13

2. Extraiga el tamiz flotante de corte de la cubierta del tanque de recuperación y limpie (Figura 14).



FIG. 14

3. Drene el agua restante del tanque de solución (Figura 15).



FIG. 15

4. Limpie el tamiz del orificio de llenado del tanque de solución.

5. Extraiga las fibras enredadas de la alfombra y desechos, del cepillo (Figura 16).

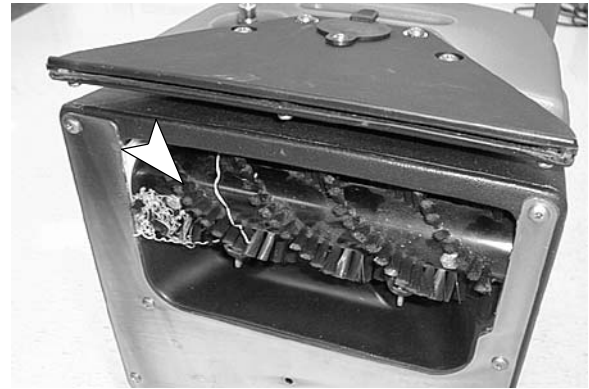


FIG. 16

6. Extraiga los desechos atrapados en el cabezal de aspiración (Figura 17).

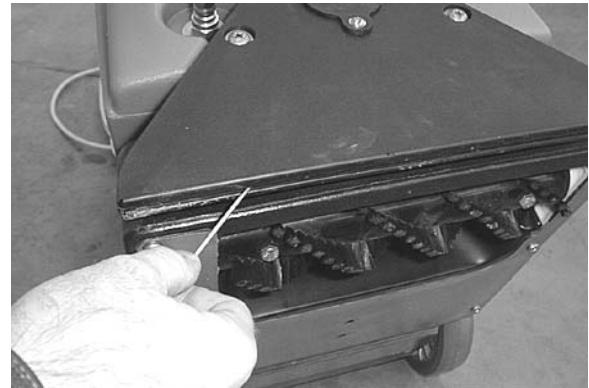


FIG. 17

7. Limpie frotando el cordón eléctrico e inspeccione por daños, reemplace si fuera necesario. Enrolle prolijamente el cordón después de usar.
8. Limpie la máquina con un limpiador universal y un trapo húmedo (Figura 18).



FIG. 18



## MANTENIMIENTO SEMANAL (Cada 20 horas de uso)

1. Inspeccione las mangueras de aspiración por perforaciones y cubiertas flojas.
2. Inspeccione el patrón de rociado por taponado. Si taponado, extraiga las boquillas de rociado y lávelas en una líquido neutralizador recomendado por hasta 6 horas. No use objetos aguzados para destapar las boquillas ya que se dañan (Figura 19).

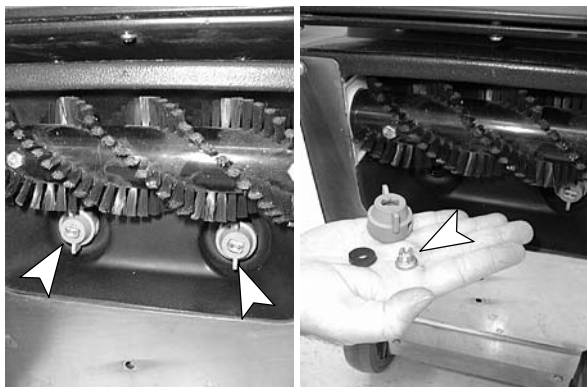


FIG. 19

**PARA SEGURIDAD: Al usar la máquina, observe las instrucciones de mezcla y manejo en los recipientes químicos.**

3. Inspeccione el cordón y la empuñadura del cordón por daños. Si está dañado reemplace inmediatamente.

**⚠ ADVERTENCIA: No opere con un cordón eléctrico dañado. No modifique el enchufe. Desenchufe el cordón eléctrico antes de reparar la máquina.**

**Si el cordón del suministro se daña o se rompe, debe ser reemplazado por el fabricante o su agente de servicio o una persona similarmente calificada para evitar un riesgo.**

## MANTENIMIENTO MENSUAL (Cada 80 horas de uso)

1. Lave el sistema de la solución con solución de ácido acético para disolver la acumulación alcalina normal.
  - a. Agregue 7.5L (2 gal.) de agua caliente 60°C (140°F) al tanque de solución. Agregue un líquido neutralizador según instrucciones de mezclar en la botella.

**NOTA:** *Habla con su surtidor químico para un líquido neutralizador recomendado.*

**PARA SEGURIDAD: Al usar la máquina, observe las instrucciones de mezcla y manejo en los recipientes químicos.**

- b. Coloque el cepillo sobre el desagüe y operar la máquina por un minuto.
  - c. Entonces, conecte la manguera de solución del accesorio de mano a la máquina y también sobre el desagüe, opere el accesorio por un minuto.
  - d. Apague la máquina y permita que la solución restante disuelva la acumulación alcalina durante la noche.
  - e. El día siguiente, rocíe la solución restante y lave el sistema con 11L (3 gal.) de agua limpia.
2. Lubrique las ruedas con un aceite resistente al agua.
3. Inspeccione la máquina por pérdidas de agua y ferretería floja.

## MANTENIMIENTO TRIMESTRAL (Cada 250 horas de uso)

Inspeccione el motor(es) por desgaste de las escobillas de carbón, reemplace todas las escobillas si se han desgastado a un largo de 10mm (3/8 pulg.) o menos.

Para la inspección de las escobillas de carbón consulte con su Centro Autorizado de Servicio.

**PARA SEGURIDAD: Al prestar servicio a la máquina, todas las reparaciones deben realizarse por una persona calificada de servicio.**

# OPERACIÓN


---

---

## ALMACENAJE DE LA MÁQUINA

---

1. Asegúrese de drenar y enjuagar el tanque de todo el agua, antes de almacenar la máquina.
2. Almacene la máquina en un área seca en posición vertical.
3. Abra la cubierta del tanque de recuperación para facilitar la circulación del aire.

 **ADVERTENCIA:** No use al aire libre o en superficies húmedas. No exponga a la lluvia. Almacén bajo techo.

**ATENCIÓN:** Asegúrese que la máquina y el sistema de solución estén completamente drenados y secos, si almacena la máquina a temperaturas de congelación.

---

## ARTÍCULOS RECOMENDADOS A MANTENER EN EXISTENCIA

---

Para los artículos recomendados a mantener en existencia, refiérase a la sección de Lista de Piezas. Los artículos para mantener en existencia están claramente identificados con una bala que precede a la descripción de las piezas. Vea el ejemplo de abajo:

Ref.	Part No.	Description	Qty.
1	701103	ASM., STANDPIPE	1
2	190619	● FLOAT, SHUTOFF	1
3	230197	NIPPLE	1
4	101714	● GASKET	1
5	210240	NUT, FLANGED	1

**LOCALIZACION DE FALLAS**

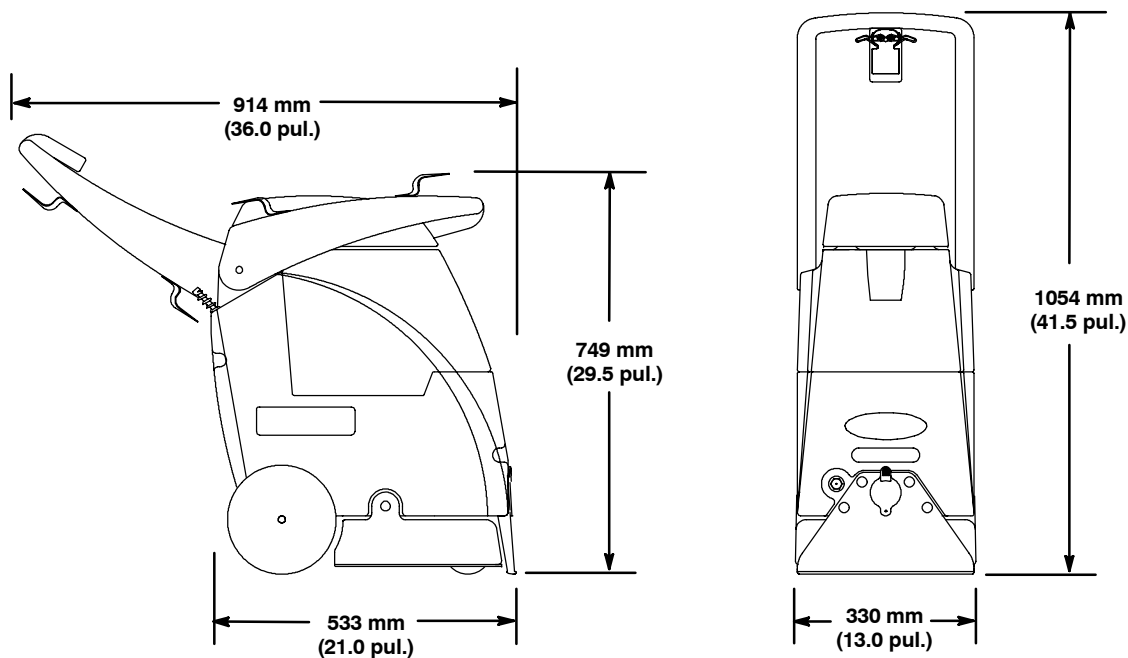
<b>PROBLEMA</b>	<b>CAUSA</b>	<b>SOLUCIÓN</b>
La máquina no funciona.	Conmutadores o cableado defectuosos.	Consulte con el Centro de Servicio.
	Cordón eléctrico defectuoso.	Consulte con el Centro de Servicio.
	Activado el interruptor de circuitos del edificio.	Regradúe el interruptor.
El motor de cepillo no funciona.	El interruptor de circuito del motor de cepillo disparó.	Permita que la bomba se refresque y reajustar el interruptor.
	Gatillos no oprimidos.	Oprima los gatillos de cepillo y los de solución.
	Correa del cepillo floja o rota.	Consulte con el Centro de Servicio.
	Conmutador del gatillo o cableado defectuosos.	Consulte con el Centro de Servicio.
	El motor de cepillo está defectuoso.	Consulte con el Centro de Servicio.
La bomba de solución no funciona.	El interruptor de circuito del bombeo de solución disparó.	Permita que la bomba se refresque y reajustar la bomba.
	Gatillos no oprimidos.	Oprima los gatillos de cepillo y los de solución.
	Conmutador del gatillo o cableado defectuosos.	Consulte con el Centro de Servicio.
	El motor de la bomba de solución está defectuosa.	Consulte con el Centro de Servicio.
El motor de aspiración no funciona.	Cableado flojo o roto.	Consulte con el Centro de Servicio.
	Conmutador de aspiración defectuoso.	Consulte con el Centro de Servicio.
	Motor de aspiración defectuoso.	Consulte con el Centro de Servicio.
	Escobillas de carbón gastadas.	Consulte con el Centro de Servicio.
Mala aspiración de la solución.	Junta de la cubierta del tanque de recuperación, defectuosa.	Reemplace la junta.
	Tamiz flotante de corte, taponado.	Abra la cubierta del tanque de reparación y limpie la pelusa del tamiz.
	El orificio de aspiración de la herramienta accesoria está floja o falta.	Inspeccione la cubierta del orificio de la manguera de aspiración.
	Conexiones de la manguera de aspiración, flojas.	Asegure las conexiones debajo de la cubierta.
	Manguera de aspiración, defectuosa.	Reemplazar la manguera.
	Cubiertas de las manguera de aspiración, flojas.	Asegure las cubiertas a la manguera.
	Impulsa la máquina demasiado rápido.	Haga más lento el proceso de limpieza.
Rociado irregular o faltante.	Boquillas de rociado taponadas.	Limpie o reemplace las boquillas.
	Tamaño de las boquillas de rociado o ángulo de rociado, incorrectos.	Reemplace con boquillas apropiadas.
	Válvula solenoide taponada.	Consulte con el Centro de Servicio.
	Boquillas de rociado gastadas.	Reemplace las boquillas de rociado.
	Contenido bajo del tanque de solución o está vacío.	Llene el tanque de solución.
	Bomba de solución defectuosa.	Consulte con el Centro de Servicio.
	La bomba requiere cebado.	Ceba la bomba apretando la boquilla de acople de la manguera de la solución, ubicada al frente de la máquina.

# OPERACIÓN

## ESPECIFICACIONES DE LA MÁQUINA

Modelo	Marksman™ 412
LARGO	533 mm (21 pul.) con el mango plegado.
ANCHO	330 mm (13 pul.)
ALTO	749 mm (29.5 pul.) con el mango plegado.
PESO	27 kg. (60 lb.)
CAPACIDAD DEL TANQUE DE SOLUCIÓN	15 L (4 gal.)
CAPACIDAD DEL TANQUE DE RECUPERACIÓN	15 L (4 gal.)
ANCHO DE COBERTURA DE LIMPIEZA	273 mm ( 10.75 pul.)
VELOCIDAD MAXIMA DE LIMPIEZA	130 m <sup>2</sup> (1400 pies. cuadr.) por hora
MOTOR DEL CEPILLO	120VDC, 0.1HP, .75A, 90VAT., 1880 RPM – sin carga 220/230/240VDC, 0.1HP, .38A, 90VAT., 1880 RPM – sin carga
VELOCIDAD DEL CEPILLO	1038 rpm – sin carga
BOMBA DE SOLUCIÓN	120VAC, 4.1 barias (65psi) en el inyector: .28A, 2.65 LPM (0.7 GPM) 2.8 bar (41 psi) 220/230/240VAC, 4.5 barias (65psi) en el inyector: .35A, 2.27 LPM (0.6 GPM) 3.0 bar (44 psi)
MOTOR DE ASPIRACION	120V, 1.5 HP, 9.1A, 1092VAT., 2 etapas, 103 cfm 220V/230V, 1.4 HP, 4.7A, 1046VAT., 2 etapas, 105 cfm 240V, 1.5 HP, 5.0A, 1138VAT., 2 etapas, 111 cfm
ELEVADOR SELLADO DE AGUA	120V Modelo – 2324 mm (91.5 pul.), 220V/230V/240V Modelo – 2514 mm (99 pul.)
CONSUMO TOTAL DE ENERGIA	120V Modelo, 10.6A, 1272 VAT. 220V/230V/240 V Modelo, 5.3A, 1207 VAT.
CORDON ELECTRICO	7.6 M (25 pies) 16/3 – 120V, 3X1.5MM <sup>2</sup> X 15M – 230V
CANTIDAD DE DECIBELES EN EL OIDO DEL OPERADOR, INTERIOR SOBRE LA ALFOMBRA	<72db (A)

## DIMENSIONES DE LA MÁQUINA



Ce manuel est fourni avec chaque nouveau modèle. Il fournit les instructions nécessaires au fonctionnement et à l'entretien.

**Lisez complètement ce manuel et familiarisez-vous avec la machine avant de l'utiliser ou de l'entretenir.**

Une liste complète de pièces détachées avec illustrations accompagne également chaque nouveau modèle. Utilisez la liste de pièces détachées pour commander des pièces de rechange. Avant de commander des pièces ou des fournitures, soyez sûr d'avoir avec vous le numéro de modèle de la machine et le numéro de série. Les pièces et les fournitures se commandent par téléphone ou par courrier auprès de tout centre de dépannage agréé, de tout distributeur ou de l'une des filiales du fabricant.

Cette machine vous fournira d'excellents services. Toutefois, vous obtiendrez les meilleurs résultats pour un prix de revient minimum si :

- La machine est manipulée avec un certain soin.
- La machine fait l'objet d'un entretien régulier conformément aux instructions d'entretien de ce manuel.
- L'entretien de la machine est effectué avec des pièces fournies par le fabricant ou des pièces équivalentes.

## DONNÉES DE LA MACHINE

A remplir au moment de l'installation à titre de référence.

Modèle n° \_\_\_\_\_

Date d'installation - \_\_\_\_\_

N° série - \_\_\_\_\_



### PROTECTION DE L'ENVIRONNEMENT

Veillez éliminer les matériaux d'emballage, les composants d'anciennes machines comme les batteries, les fluides dangereux tels que l'antigel ou l'huile, d'une manière sûre au point de vue environnemental, suivant la réglementation locale en vigueur en matière d'élimination des déchets.



N'oubliez pas de toujours recycler.

## DONNÉES DE LA MACHINE

<b>MESURES DE SÉCURITÉ</b> .....	<b>30</b>	<b>ARTICLES DE STOCK RECOMMANDES</b> .....	<b>38</b>
INSTRUCTIONS DE MISE À LA TERRE ...	31	<b>DEPISTAGE DES PANNES</b> .....	<b>39</b>
<b>ETIQUETTES DE MISE EN GARDE</b> .....	<b>32</b>	<b>DEPISTAGE DES PANNES</b> .....	<b>40</b>
<b>COMPOSANTS DE LA MACHINE</b> .....	<b>33</b>	<b>SPECIFICATIONS</b> .....	<b>40</b>
<b>MISE EN SERVICE DE LA MACHINE</b> .....	<b>33</b>	<b>DIMENSIONS DE LA MACHINE</b> .....	<b>41</b>
<b>UTILISATION DE LA MACHINE</b> .....	<b>34</b>	<b>SYSTÈM ÉLECTRIQUE</b> .....	<b>42</b>
OPERATIONS PRELIMINAIRES .....	34	120V DIAGRAMME DE CÂBLAGE .....	42
NETTOYAGE DES MOQUETTES .....	34	120V DIAGRAMME D'ÉCHELLE .....	43
PENDANT LE FONCTIONNEMENT .....	35	220V/230V DIAGRAMME DE CÂBLAGE ...	44
NETTOYAGE AVEC LES INSTRUMENTS ..	35	220V/230V DIAGRAMME D'ÉCHELLE .....	45
<b>VIDANGE DES RESERVOIRS</b> .....	<b>36</b>	240V DIAGRAMME DE CÂBLAGE .....	46
VIDANGE DU RESERVOIR DE RECUPERATION		240V DIAGRAMME DE CÂBLAGE .....	47
36		<b>LISTE DES PIÈCES</b> .....	<b>48</b>
VIDANGE DU RESERVOIR DE SOLUTION .	36	GROUPE RESERVOIR DE SOLUTION ....	48
<b>ENTRETIEN DE LA MACHINE</b> .....	<b>36</b>	GROUPE RESERVOIR DE RECUPERATION	50
ENTRETIEN QUOTIDIEN .....	36	GROUPE POIGNEE .....	52
ENTRETIEN HEBDOMADAIRE .....	37	GROUPE PANNEAU ARRIERE .....	54
ENTRETIEN MENSUEL .....	38	GROUPE BROUSSE .....	56
ENTRETIEN TRIMESTRIEL .....	38	GROUPE SOLUTION .....	58
<b>ENTREPOSAGE DE LA MACHINE</b> .....	<b>38</b>	<b>ÉQUIPEMENT AU CHOIX</b> .....	<b>60</b>
		OUTIL A MAIN .....	60

## MESURES DE SÉCURITÉ

---

Cette machine est conçue pour un usage commercial. Elle est destinée exclusivement au nettoyage des moquettes et tissus d'ameublement dans un environnement intérieur et ne convient pas à un quelconque autre usage. Utilisez uniquement des accessoires et des produits nettoyants pour moquettes disponibles dans le commerce, prévus pour l'utilisation de la machine.

Tous les opérateurs sont tenus de lire et comprendre les consignes de sécurité suivantes et de se familiariser avec celles-ci.

Le symbole de mise en garde suivant et l'en-tête « POUR VOTRE SECURITE » sont utilisés tout au long de ce manuel comme indiqué dans leur description :

**⚠ MISE EN GARDE** : identifie la présence de dangers ou les opérations dangereuses susceptibles de blesser grièvement ou de provoquer la mort.

**POUR VOTRE SECURITÉ** : identifie les instructions qui doivent être suivies afin de garantir la sécurité lors de l'utilisation de l'équipement.

Le fait de ne pas respecter ces avertissements peut entraîner des blessures, un choc électrique, un incendie ou une explosion.

**⚠ MISE EN GARDE** : danger d'incendie ou d'explosion :

- N'utilisez jamais de liquides inflammables ou n'utilisez pas la machine dans ou près de liquides ou vapeurs inflammables ou de poussières combustibles.

*Cette machine n'est pas équipée de moteurs protégés contre les explosions. Les moteurs électriques émettent des étincelles au moment du démarrage et pendant leur fonctionnement, ce qui peut entraîner un incendie instantané ou une explosion si la machine est utilisée dans une zone où des vapeurs/liquides inflammables ou des poussières combustibles, sont présents.*

- Ne ramassez pas de matériaux inflammables ou de métaux réactifs.

**⚠ MISE EN GARDE** : danger électrique. N'utilisez pas la machine avec un cordon d'alimentation endommagé. Ne modifiez pas la prise. Débranchez le cordon d'alimentation avant d'entretenir la machine.

Si le cordon d'alimentation est endommagé ou rompu, il doit être remplacé par le fabricant ou son agent de maintenance ou toute autre personne qualifiée, afin d'éviter tout danger.

**⚠ MISE EN GARDE** : Brosse De Rotation. Ne touchez pas la machine. Coupez Le Courant Avant de Travailler À la Machine.

**⚠ MISE EN GARDE** : danger de choc électrique. N'utilisez pas en extérieur. N'exposez pas à la pluie. Entrez à l'intérieur.

Les signaux d'information ci-après indiquent les situations potentiellement dangereuses pour l'opérateur ou l'équipement :

### POUR VOTRE SECURITÉ :

#### 1. N'utilisez pas la machine :

- avec des liquides inflammables ou près de vapeurs inflammables, afin d'éviter le risque d'explosion ou d'incendie instantané.
- Avant d'avoir lu et compris le manuel opérateur.
- Si elle n'est pas en bon état de marche.
- Si le cordon n'est pas correctement relié à la terre.
- Avec des cordons ou prises endommagés.
- Si elle n'est pas en bon état de marche.
- À l'extérieur.
- Dans l'eau stagnante.
- 120V/220/230V models - Avec une rallonge
- 240V models - Avec l'utilisation des cordes additionnelles de prolongation. Employez seulement la corde de la prolongation du fabricant équipée de la machine qui a la capacité appropriée et est fondue.

#### 2. Avant d'utiliser la machine :

- Assurez-vous que tous les dispositifs de sécurité se trouvent à leur place et fonctionnent correctement.
- Placez les signes SOL HUMIDE si nécessaire.

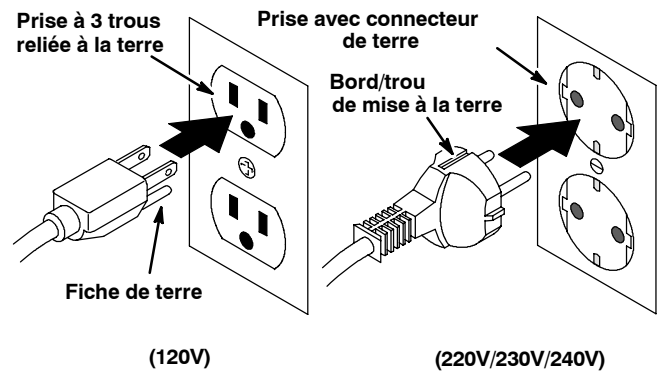
#### 3. Lors de l'utilisation de la machine :

- Ne roulez pas sur le cordon avec l'appareil.
- Ne tirez pas la machine par la prise ou le cordon.
- Ne tirez pas le cordon près des bords ou des coins vifs.
- Ne débranchez pas l'appareil en tirant sur le cordon.

- N'étirez pas le cordon.
  - Ne manipulez pas la prise avec des mains mouillées.
  - Éloignez le cordon des surfaces chaudes.
  - Signalez immédiatement tout dommage occasionné à la machine ou tout mauvais fonctionnement.
  - Suivez les instructions de mélange et de manipulation indiquées sur les conteneurs chimiques.
  - Empêchez les enfants de jouer à proximité de la machine.
4. Avant de quitter ou d'entretenir la machine :
- Coupez le contact de la machine.
  - Débranchez le cordon de la prise murale.
5. Lors de l'entretien de la machine :
- Débranchez le cordon de la prise murale.
  - Évitez les pièces mobiles. Ne portez pas de veste ou de chemise large ou de manches amples.
  - Utilisez des pièces de rechanges fournies ou agréées par le fabricant.
  - Toutes les réparations doivent être effectuées uniquement par un technicien qualifié.
  - Ne modifiez pas le design d'origine de la machine.
6. Lors du transport de la machine :
- Demandez de l'aide pour soulever la machine.
  - Débranchez le cordon de la prise murale.
  - Utilisez des sangles pour arrimer la machine sur le camion ou la remorque.

## INSTRUCTIONS DE MISE À LA TERRE

La machine doit être mise à la terre. En cas de dysfonctionnement ou de panne, la mise à la terre offre une voie de moindre résistance au courant électrique, afin de réduire le risque de décharge électrique. Cette machine est équipée d'un cordon muni d'un conducteur de terre principale et d'une fiche avec mise à la terre. La fiche doit être branchée sur une prise appropriée montée correctement, conformément aux réglementations et codes en vigueur au niveau local. Ne supprimez pas la fiche de mise à la terre ; si celle-ci manque, remplacez la prise avant d'utiliser la machine.



## ETIQUETTES DE MISE EN GARDE

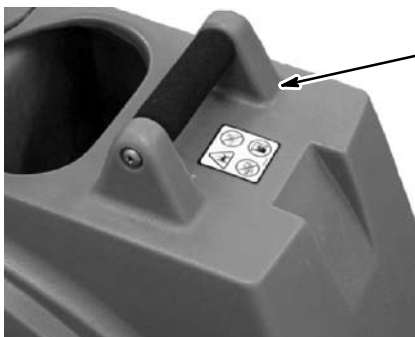
Les étiquettes de mise en garde se trouvent sur la machine aux endroits indiqués. Remplacez les étiquettes lorsqu'elles sont endommagées ou qu'elles deviennent illisibles.

### ÉTIQUETTE MISE EN GARDE - Située au-dessus de la machine.



	⚠ WARNING	⚠ AVERTISSEMENT	⚠ ADVERTENCIA
	<b>EXPLOSION, FIRE AND SHOCK HAZARD. AVOID INJURY.</b>	<b>RISQUE D'EXPLOSION, D'INCENDIE ET DE DÉCHARGE. ÉVITEZ LES BLESSURES.</b>	<b>PELIGRO DE EXPLOSIÓN, FUEGO, DESCARGA EVITE LESIONES.</b>
	<b>Do Not Use or Pick Up Flammable Materials.</b>	<b>• N'utilisez Pas ou Ne Ramassez Pas de Matériaux Inflammables.</b>	<b>• No Use Ó Recoja Materiales Flamables.</b>
	<b>Do Not Use Near Flammable Liquids, Vapors or Combustible Dusts.</b>	<b>• N'utilisez Pas Près de Liquides, Vapeurs ou Poussières Inflammables.</b>	<b>• No Use Cerca De Líquidos Flamables, Vapores Ó Materiales Combustibles.</b>
	<b>Do Not Operate With Damaged Power Cord. Do Not Modify Plug. Unplug Power Cord Before Servicing Machine.</b>	<b>• N'utilisez Pas la Machine Avec un Cordon d'Alimentation Endommagé. Ne Modifiez Pas la Prise. Débranchez le Cordon d'Alimentation Avant d'Entretien la Machine.</b>	<b>• No Use Con Cable De Corriente Dañado. No Altere El Enchufe. Desconecte Cable De Corriente Antes Del Mantenimiento.</b>
	<b>Do Not Use Outdoors. Do Not Expose to Rain. Store Indoors.</b>	<b>• N'utilisez Pas en Extérieur. N'Exposez Pas à la Pluie. Entrezposez à l'Intérieur.</b>	<b>• No Use Al Aire Libre. No Exponga A La Lluvia. Guarde Bajo Techo.</b>

1026383



### ETIQUETTE MATIERES/ DECHETS INFLAMMABLES –

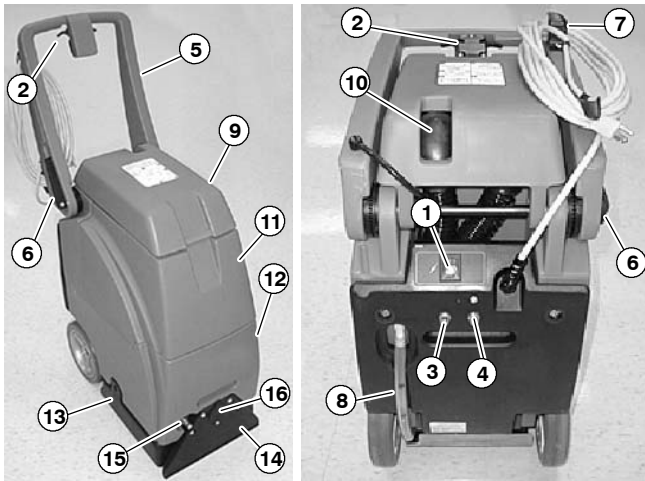
Située près de l'orifice de remplissage du réservoir de solution et sur le couvercle du réservoir de récupération.



**MISE EN GARDE: Les matières inflammables peuvent causer une explosion ou un incendie. N'utilisez pas de matières inflammables dans le(s) réservoir(s). Les matières inflammables ou métaux réactifs peuvent provoquer des explosions ou incendies. Ne pas ramasser.**



## COMPOSANTS DE LA MACHINE



1. Bouton d'alimentation principal (ON/OFF)
2. Déclencheurs de brosse/solution
3. Bouton de réenclenchement de la pompe
4. Bouton de réenclenchement de la brosse
5. Poignée repliable
6. Levier de blocage de la poignée repliable
7. Crochets du cordon d'alimentation
8. Tuyau de vidange du réservoir de solution avec marques de niveau de solution
9. Couvercle du réservoir de récupération
10. Regard du réservoir de récupération
11. Réservoir de récupération
12. Réservoir de solution
13. Base de brosse flottante
14. Tête de ramassage
15. Raccord du tuyau du réservoir de solution
16. Orifice du tuyau d'aspiration

## MISE EN SERVICE DE LA MACHINE

1. Vérifiez soigneusement si le carton ne présente pas de dommages. Signalez immédiatement tout dommage au transporteur. La machine est expédiée complètement assemblée et elle est prête à l'emploi.
2. Réglez la poignée à partir de la position de transport. Pour régler, tirez vers l'extérieur le levier de blocage de la poignée et soulevez la poignée à la hauteur souhaitée, puis bloquez à nouveau le levier (Figure 1).



FIG. 1

3. Ouvrez le couvercle et retirez le réservoir de récupération de la machine. Assurez-vous que le filtre de coupure à flotteur et le filtre du réservoir de solution sont à leur place, avant d'utiliser la machine (Figure 2).



FIG. 2

4. En utilisant un seau ou un tuyau propre, versez 15 L (4 gal) d'eau chaude 60°C (140°F) dans le réservoir de solution. Quand vous versez l'eau, observez le tuyau du réservoir de solution, situé à l'arrière de la machine. Le tuyau indique la quantité d'eau dans le réservoir de solution (Figure 3).

**ATTENTION: N'utilisez pas le réservoir de récupération pour remplir le réservoir de solution. Des résidus de saleté ou des débris risquent d'endommager la pompe à solution.**

**⚠ MISE EN GARDE : N'utilisez jamais de liquides inflammables ou n'utilisez pas la machine dans ou près de liquides ou vapeurs inflammables ou de poussières combustibles.**



FIG. 3

5. Ajouter un nettoyant chimique recommandé.

**POUR VOTRE SECURITE:** Quand vous utilisez la machine, suivez les instructions de mélange et de manipulation indiquées sur les conteneurs chimiques.

**ATTENTION:** Si vous utilisez des nettoyants chimiques en poudre, mélangez avant d'ajouter les produits.

**REMARQUE:** Si vous le souhaitez, utilisez de l'eau uniquement: vous obtiendrez un excellent résultat.

6. Après le remplissage, remplacez le réservoir de récupération et refermez le couvercle.
7. Branchez le cordon d'alimentation de la machine sur une prise murale reliée à la terre (Figure 4).

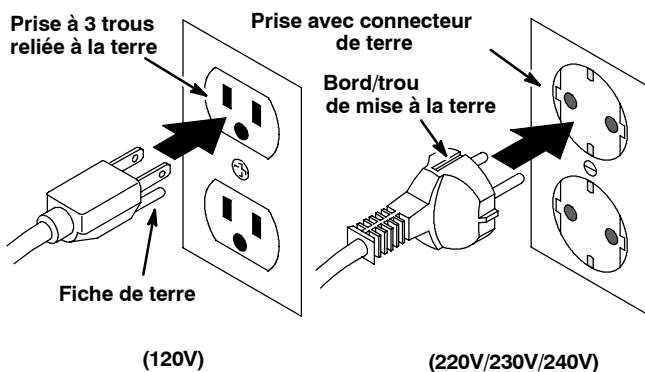


FIG. 4

**POUR VOTRE SECURITE:** Utilisez uniquement la rallonge de câble équipée avec la machine ; celle-ci possède la capacité adéquate et est reliée à la terre.

## UTILISATION DE LA MACHINE

**POUR VOTRE SECURITE:** N'utilisez la machine qu'après avoir lu et compris le manuel opérateur.

### OPERATIONS PRELIMINAIRES

1. Aspirez la moquette et retirez les déchets.
2. Effectuez la procédure de MISE EN SERVICE DE LA MACHINE.
3. Vérifiez si le cordon d'alimentation n'est pas endommagé.

**⚠ MISE EN GARDE : danger électrique.** N'utilisez pas la machine avec un cordon d'alimentation endommagé. Ne modifiez pas la prise. Débranchez le cordon d'alimentation avant d'entretenir la machine.

Si le cordon d'alimentation est endommagé ou rompu, il doit être remplacé par le fabricant ou son agent de maintenance ou toute autre personne qualifiée, afin d'éviter tout danger.

### NETTOYAGE DES MOQUETTES

**⚠ MISE EN GARDE : N'utilisez jamais de liquides inflammables ou n'utilisez pas la machine dans ou près de liquides ou vapeurs inflammables ou de poussières combustibles.**

1. Tournez le bouton d'alimentation en position ON (Figure 5).



FIG. 5

2. Pour commencer le nettoyage de la moquette, appuyez sur les déclencheurs et tirez lentement la machine vers l'arrière (Figure 6).



FIG. 6

3. Relâchez les déclencheurs à l'extrémité du couloir et continuez à tirer la machine pour récupérer l'excès de solution.
4. Reposez la machine sur ses roues et poussez la machine pour entamer le couloir suivant.

**POUR VOTRE SECURITÉ : Lorsque vous utilisez la machine, ne roulez pas sur le cordon, ne tirez pas la machine par la prise ou le cordon, ne tirez pas le cordon sur des arêtes ou des coins tranchants, ne débranchez pas la machine en tirant sur le cordon et ne manipulez pas la prise avec des mains humides.**

## PENDANT LE FONCTIONNEMENT

1. Faites chevaucher de 50 mm chaque couloir de nettoyage.

**⚠ MISE EN GARDE : Ne ramassez pas de matériaux inflammables ou de métaux réactifs.**

2. Restez à l'écart de la prise murale et du cordon d'alimentation pour éviter d'endommager le cordon d'alimentation.
3. Vérifiez périodiquement l'accumulation excessive de mousse dans le réservoir de récupération. Utilisez une solution antimousse recommandée pour éviter l'endommagement du moteur de l'extracteur.

**ATTENTION : Veillez à ne pas laisser pénétrer de mousse dans le filtre d'arrêt à flotteur. La mousse endommagerait le moteur. Les dommages occasionnés par la mousse ne sont PAS couverts par la garantie.**

4. Un arrêt de la brosse peut signifier que le coupe-circuit a sauté. Débranchez le cordon d'alimentation et vérifiez l'obstruction éventuelle de la brosse. Appuyez sur le bouton de réenclenchement de la brosse pour reprendre les opérations (Figure 7).



FIG. 7

5. Pour nettoyer les zones très sales, repassez sur la trace de nettoyage dans un autre sens.
6. Quand la récupération s'arrête brusquement, observez le regard du réservoir de récupération (Voir VIDANGE DES RESERVOIRS).

## NETTOYAGE AVEC LES INSTRUMENTS

1. Connectez les tuyaux accessoires sur le raccord du tuyau de solution et sur l'orifice du tuyau d'extraction situé à l'avant de la machine (Figure 8).

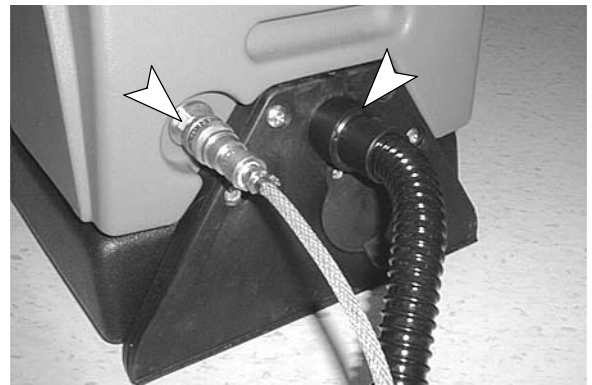


FIG. 8

2. Tournez le bouton d'alimentation en position ON (Figure 9).

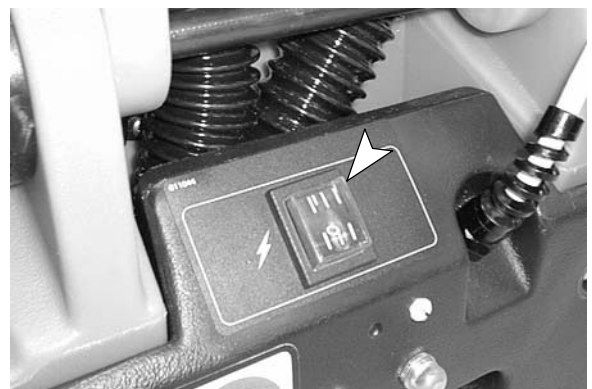


FIG. 9

## FONCTIONNEMENT

---

3. Utilisez les instruments normalement (Figure 10).

**REMARQUE:** Lorsque vous nettoyez des tissus d'ameublement, vérifiez toujours les instructions de nettoyage du fabricant cousues dans le meuble.



FIG. 10

**⚠ MISE EN GARDE : Ne ramassez pas de matériaux inflammables ou de métaux réactifs.**

4. Après le nettoyage, réduisez la pression d'eau dans l'instrument, avant de débrancher le tuyau. Appuyez sur le déclencheur pendant cinq secondes après avoir coupé l'alimentation.

---

### VIDANGE DES RESERVOIRS

---

**POUR VOTRE SECURITE: Quand vous entretenez la machine, débranchez le cordon de la prise murale.**

---

### VIDANGE DU RESERVOIR DE RECUPERATION

1. Coupez l'alimentation de la machine et débranchez le cordon d'alimentation.
2. Ouvrez le couvercle, enlevez le réservoir de récupération et videz-le (Figure 11).



FIG. 11

**REMARQUE:** Veillez à rincer le réservoir de récupération avant de remplir à nouveau le réservoir de solution.

---

### VIDANGE DU RESERVOIR DE SOLUTION

1. Tirez le tuyau de vidange du réservoir de solution hors de la bride située à l'arrière de la machine et videz le reste de solution (Figure 12).



FIG. 12

2. Remplacez le tuyau de vidange.

---

### ENTRETIEN DE LA MACHINE

---

Pour maintenir la machine en bonne condition de fonctionnement, suivez simplement les procédures d'entretien quotidiennes, hebdomadaires et mensuelles de la machine.

**POUR VOTRE SECURITE: Quand vous entretenez la machine, débranchez le cordon de la prise murale.**

**ATTENTION : Contactez un service de réparation agréé pour les réparations de la machine. Les réparations effectuées sur la machine par une personne non autorisée entraînent l'annulation de la garantie.**

---

### ENTRETIEN QUOTIDIEN (Toutes les 4 heures de service)

1. Videz et rincez soigneusement le réservoir de récupération (Figure 13).



FIG. 13

- Retirez du couvercle du réservoir de récupération le filtre de coupure à flotteur et nettoyez-le (Figure 14).



FIG. 14

- Videz le reste d'eau du réservoir de solution (Figure 15).



FIG. 15

- Nettoyez le filtre de l'orifice de remplissage du réservoir de solution.
- Retirez les fibres de moquettes et les débris enroulés sur la brosse (Figure 16).



FIG. 16

- Retirez tout débris logé dans la tête de ramassage (Figure 17).

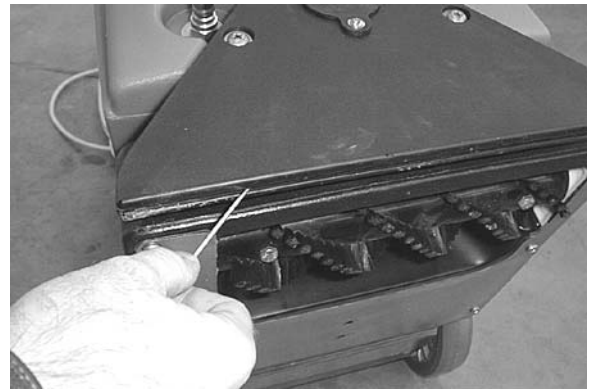


FIG. 17

- Essuyez le cordon d'alimentation et vérifiez son endommagement; remplacez-le si nécessaire. Enroulez soigneusement le câble après utilisation.
- Nettoyez la machine avec un nettoyant tous usages et un chiffon humidifié (Figure 18).



FIG. 18

## ENTRETIEN HEBDOMADAIRE (Toutes les 20 heures de service)

- Contrôlez la présence de trous et de brides lâches sur les tuyaux d'extraction.
- Vérifiez si le système de diffusion n'est pas obstrué. Si le système est obstrué, retirez les gicleurs et trempez-les pendant six heures dans un neutralisant liquide recommandé. Pour retirer le gicleur, tordez-le dans le sens contraire des aiguilles d'une montre. N'utilisez pas d'objets pointus pour retirer les gicleurs; vous risquez de les endommager (Figure 19).

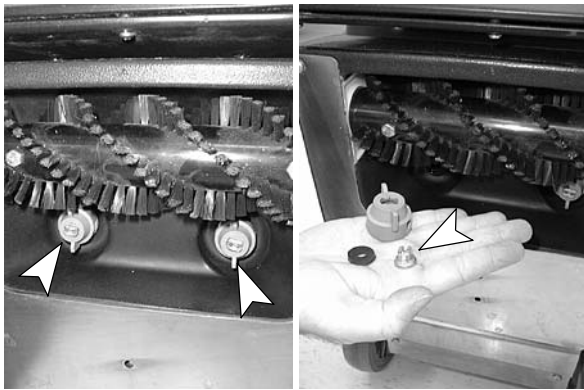


FIG. 19

**POUR VOTRE SECURITE: Quand vous utilisez la machine, suivez les instructions de mélange et de manipulation indiquées sur les conteneurs chimiques.**

3. Vérifiez l'endommagement du cordon et du grip de cordon. Remplacez-les immédiatement en cas de dommage.

**⚠ MISE EN GARDE : danger électrique.**  
N'utilisez pas la machine avec un cordon d'alimentation endommagé. Ne modifiez pas la prise. Débranchez le cordon d'alimentation avant d'entretenir la machine.

**Si le cordon d'alimentation est endommagé ou rompu, il doit être remplacé par le fabricant ou son agent de maintenance ou toute autre personne qualifiée, afin d'éviter tout danger.**

## ENTRETIEN MENSUEL (Toutes les 80 heures de service)

1. Rincez le système de solution avec un neutralisant liquide pour dissoudre l'accumulation de produits chimiques.
  - a. Versez 7,5 l d'eau chaude 60°C (140°F) dans le réservoir de solution. Ajoutez un neutralisant liquide suivant les instructions de mélange figurant sur la bouteille.

**REMARQUE:** Contactez votre fournisseur de produits chimiques pour un liquide neutralisant recommandé.

**POUR VOTRE SECURITE: Quand vous utilisez la machine, suivez les instructions de mélange et de manipulation indiquées sur les conteneurs chimiques.**

- b. Placez la brosse au-dessus d'un siphon de sol et faites fonctionner la machine pendant une minute.
- c. Ensuite, branchez le tuyau de solution de l'outil à main sur la machine et faites à nouveau fonctionner la machine pendant une minute, au-dessus d'un siphon de sol.

- d. Coupez l'alimentation de la machine et laissez le reste de solution pendant la nuit, pour éliminer l'accumulation de produits chimiques.
  - e. Le lendemain, vidangez le reste de solution et rincez le système avec 1 l d'eau claire.
2. Lubrifiez les roulettes avec une huile résistant à l'eau.
  3. Contrôlez la présence de fuites d'eau et de pièces lâches.

## ENTRETIEN TRIMESTRIEL (Toutes les 250 heures de service)

Vérifiez le degré d'usure des balais en charbon du moteur de l'extracteur. Remplacez les brosses si la longueur des poils est de 10 mm ou moins.

Contactez un service de réparation agréé pour l'entretien des moteurs.

**POUR VOTRE SECURITÉ : Lors du dépannage de la machine, toutes les réparations doivent être effectuées uniquement par un technicien qualifié.**

## ENTREPOSAGE DE LA MACHINE

1. Avant d'entreposer la machine, veillez à rincer et vider complètement les réservoirs.
2. Entreposez la machine verticalement à l'abri de l'humidité.
3. Ouvrez le réservoir de récupération pour faciliter la circulation de l'air.

**⚠ MISE EN GARDE : danger de choc électrique.**  
N'utilisez pas en extérieur. N'exposez pas à la pluie. Entreposez à l'intérieur.

**ATTENTION: Si vous entreposez la machine à des températures proches de zéro, assurez-vous que la machine et le système de solution sont complètement vidés et secs.**

## ARTICLES DE STOCK RECOMMANDES

Reportez-vous à la section Liste des pièces de ce manuel, pour les articles de stock recommandés. Les articles de stock sont identifiés clairement à l'aide d'un point précédant la description de la pièce. Voir exemple ci-dessous:

Ref.	Part No.	Description	Qty.
1	701193	ASM., STANDPIPE	1
2	190619	● FLOAT, SHUTOFF	1
3	230197	NIPPLE	1
4	101714	● GASKET	1
5	210240	NUT, FLANGED	1

**DEPISTAGE DES PANNES**

<b>PROBLEME</b>	<b>CAUSE</b>	<b>REMEDE</b>
La machine ne fonctionne pas.	Interrupteurs ou fils défectueux.	Contactez le service de dépannage.
	Cordon d'alimentation défectueux.	Contactez le service de dépannage.
	Coupe-circuit du bâtiment déclenché.	Réenclenchez le coupe-circuit.
Le moteur de la brosse ne fonctionne pas.	Coupe-circuit du moteur de la brosse déclenché.	Laissez refroidir le moteur et réenclenchez le bouton de coupe-circuit du moteur de la brosse, situé à l'arrière de la machine.
	Déclencheurs non actionnés.	Actionnez les déclencheurs de brosse/solution.
	Courroie de la brosse lâche ou cassée.	Contactez le service de dépannage.
	Bouton de déclenchement ou câblage défectueux.	Contactez le service de dépannage.
	Moteur de brosse défectueux.	Contactez le service de dépannage.
La pompe à solution ne fonctionne pas.	Coupe-circuit de pompe à solution déclenché.	Laissez refroidir la pompe et réenclenchez le bouton de coupe-circuit de la pompe, situé à l'arrière de la machine.
	Déclencheurs non actionnés.	Actionnez les déclencheurs de brosse/solution.
	Bouton de déclenchement ou câblage défectueux.	Contactez le service de dépannage.
	Moteur de pompe à solution défectueux.	Contactez le service de dépannage.
Le moteur de l'extracteur ne fonctionne pas.	Câblage lâche ou cassé.	Contactez le service de dépannage.
	Commutateur principal défectueux.	Contactez le service de dépannage.
	Moteur d'extracteur défectueux.	Contactez le service de dépannage.
	Balais en charbon usés.	Contactez le service de dépannage.
Ramassage de solution insuffisant.	Joint du couvercle de réservoir de récupération défectueux.	Remplacez le joint.
	Filtre de coupure à flotteur obstrué.	Ouvrez le couvercle du réservoir de récupération et nettoyez le filtre.
	Le couvercle de l'orifice du tuyau d'aspiration auxiliaire est mal assujéti ou absent.	Contrôlez le couvercle de l'orifice du tuyau d'aspiration.
	Raccords du tuyau d'aspiration détachés.	Fixez les raccords sous le couvercle.
	Tuyau d'aspiration défectueux.	Remplacez le tuyau.
	Raccords du tuyau d'aspiration détachés.	Rattachez fermement les raccords au tuyau.
	Déplacement trop rapide de la machine.	Réduisez la vitesse du processus de nettoyage.

# FONCTIONNEMENT

## DEPISTAGE DES PANNES

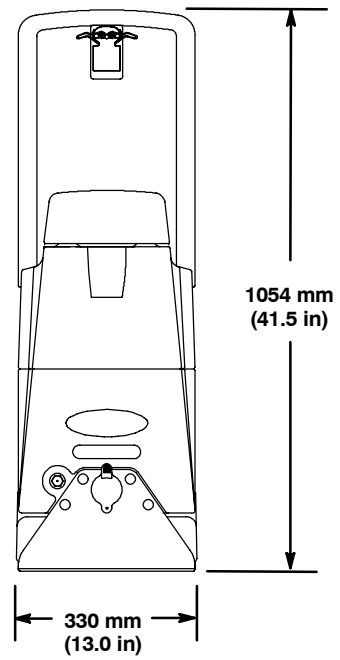
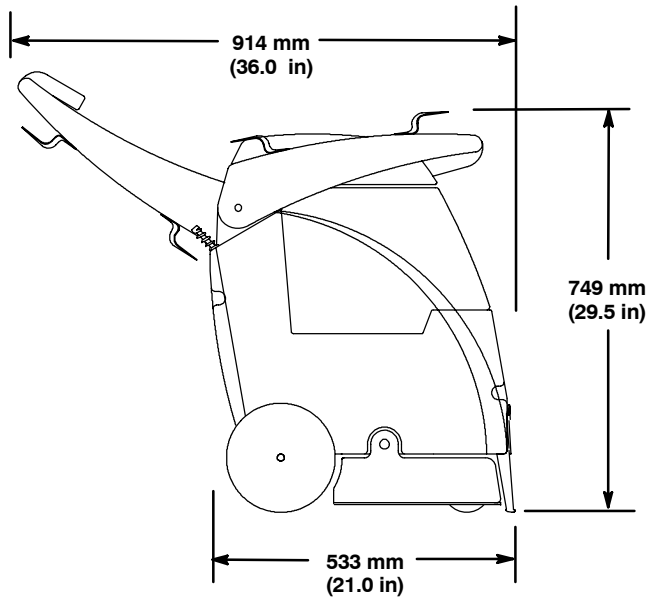
PROBLEME	CAUSE	REMEDE
Diffusion irrégulière ou nulle.	Gicleurs obstrués.	Nettoyez ou remplacez les gicleurs.
	Taille du gicleur ou angle d'aspersion inapproprié.	Remplacez par des gicleurs appropriés.
	Electrovanne obstruée.	Contactez le service de dépannage.
	Gicleurs usés.	Remplacez les gicleurs.
	Réservoir de solution plus assez rempli ou vide.	Remplissez le réservoir de solution.
	Pompe à solution défectueuse.	Contactez le service de dépannage.
	La pompe doit être amorcée.	Amorcez la pompe en appuyant sur l'embout du raccord du tuyau de solution situé à l'avant de la machine.

## SPECIFICATIONS

Modèle	Marksman™ 412
LONGUEUR	533 mm (21 in) avec poignée repliée
LARGEUR	330 mm (13 in)
HAUTEUR	749 mm (29.5 in) avec poignée repliée
POIDS	27 Kg (60 lb)
CAPACITE DU RESERVOIR DE SOLUTION	15 L (4 gal)
CAPACITE DU RESERVOIR DE RECUPERATION	15 L (4 gal)
LARGEUR DE LA TRACE DE NETTOYAGE	273 mm (10.75 in)
CAPACITE DE NETTOYAGE MAXIMUM	130 m <sup>2</sup> (1,400 sq. ft.) par heure
MOTEUR DE BROSSE	120VDC, 0.1HP, .75A, 90W, 1800 tr/min – à vide
	230VDC, 0.1HP, .38A, 90W, 1800 tr/min – à vide
VITESSE DE LA BROSSE	1038 tr/min – à vide
POMPE A SOLUTION	120 VAC, 4.5 bar (65 psi) Au bout de jet: 2.65 LPM (0.7 GPM), 2.8 bar (41 psi), .28A
	220/230/240 VAC, 4.5 bar (65psi) Au bout de jet: 2.27 LPM (0.6 GPM), 3.0 bar (44 psi), .35A
MOTEUR D'EXTRACTEUR	120V, 1.5 HP, 9.1A, 1092W, 2 stage, 103 pieds cubes par minute
	220V/230V, 1.4 HP, 4.7A, 1046W, 2 stage, 105 pieds cubes par minute
	240V, 1.5 HP, 5.0A, 1138W, 2 stage, 111 pieds cubes par minute
HAUTEUR D'EAU SCELLEE	120V modèle -2324 mm (91.5 in)
	220V/230V/240V modèle -2514 mm (99in)
CONSOMMATION ELECTRIQUE TOTALE	120V, 10.6 A, 1272 W
	220V/230V/240V, 5.4A, 1207 W
CORDON D'ALIMENTATION	7.6 M (25 ft.) 16/3-120V, 3X1.5MM <sup>2</sup> X 15M (50 ft) -230V
VALEUR EN DECIBELS AU NIVEAU DE L'OREILLE DE L'OPERATEUR, EN INTERIEUR SUR LA MOQUETTE	<72 dB(A)

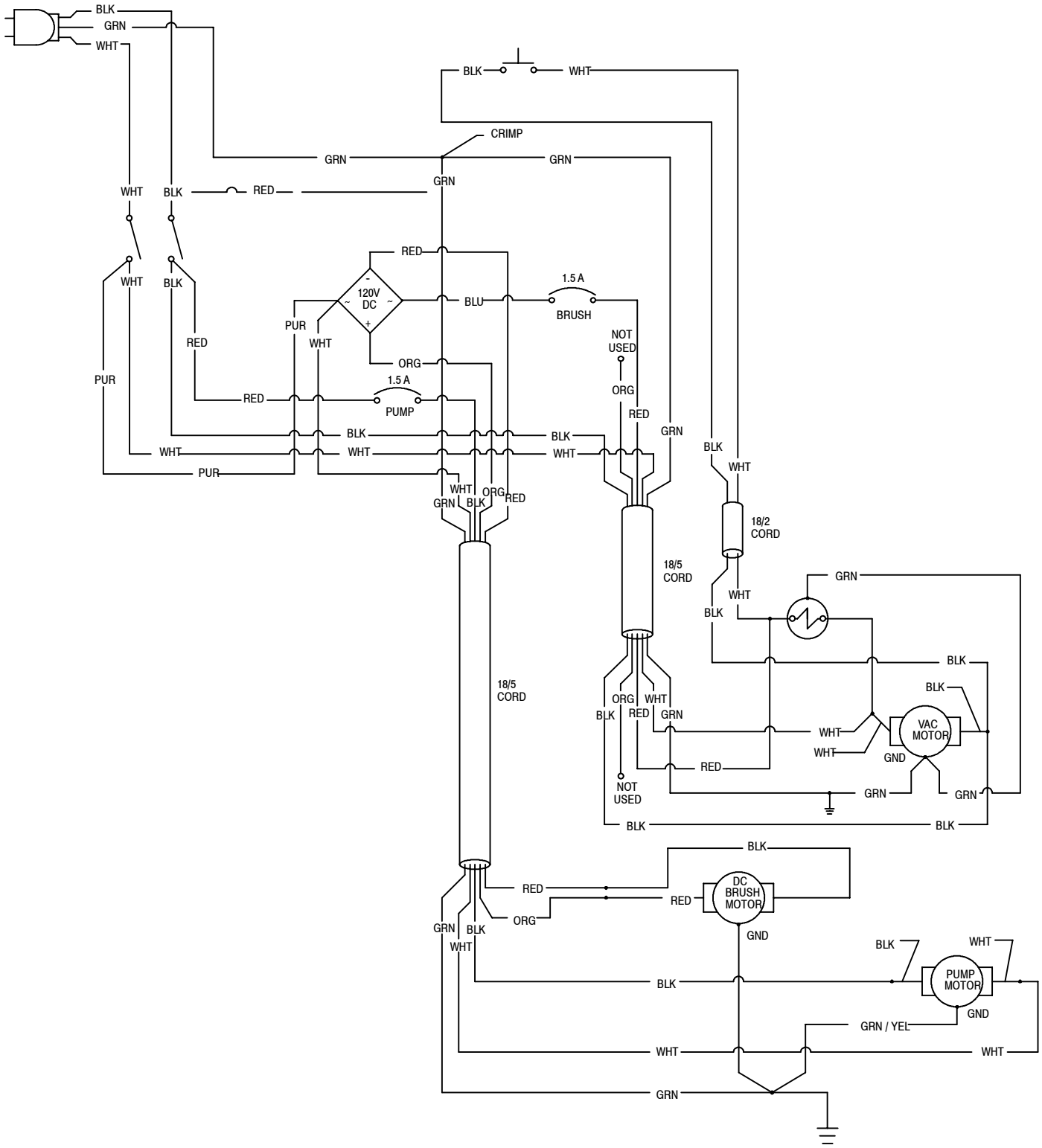


DIMENSIONS DE LA MACHINE



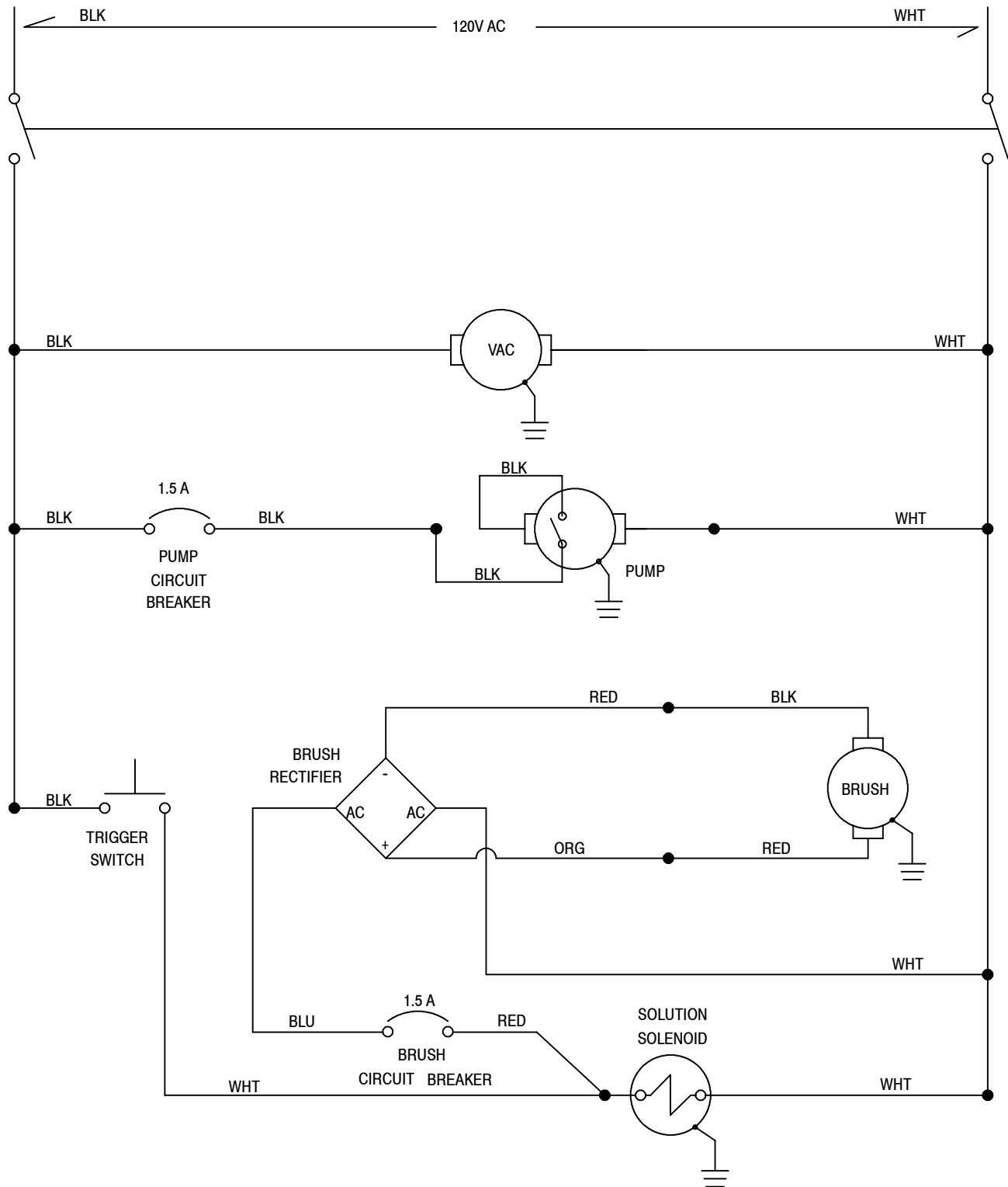
# ELECTRICAL DIAGRAMS - DIAGRAMAS ELECTRICAS - SYSTEM ÉLECTRIQUE

## 120V WIRING DIAGRAM DIAGRAMA DE CABLEADO DIAGRAMME DE CÂBLAGE



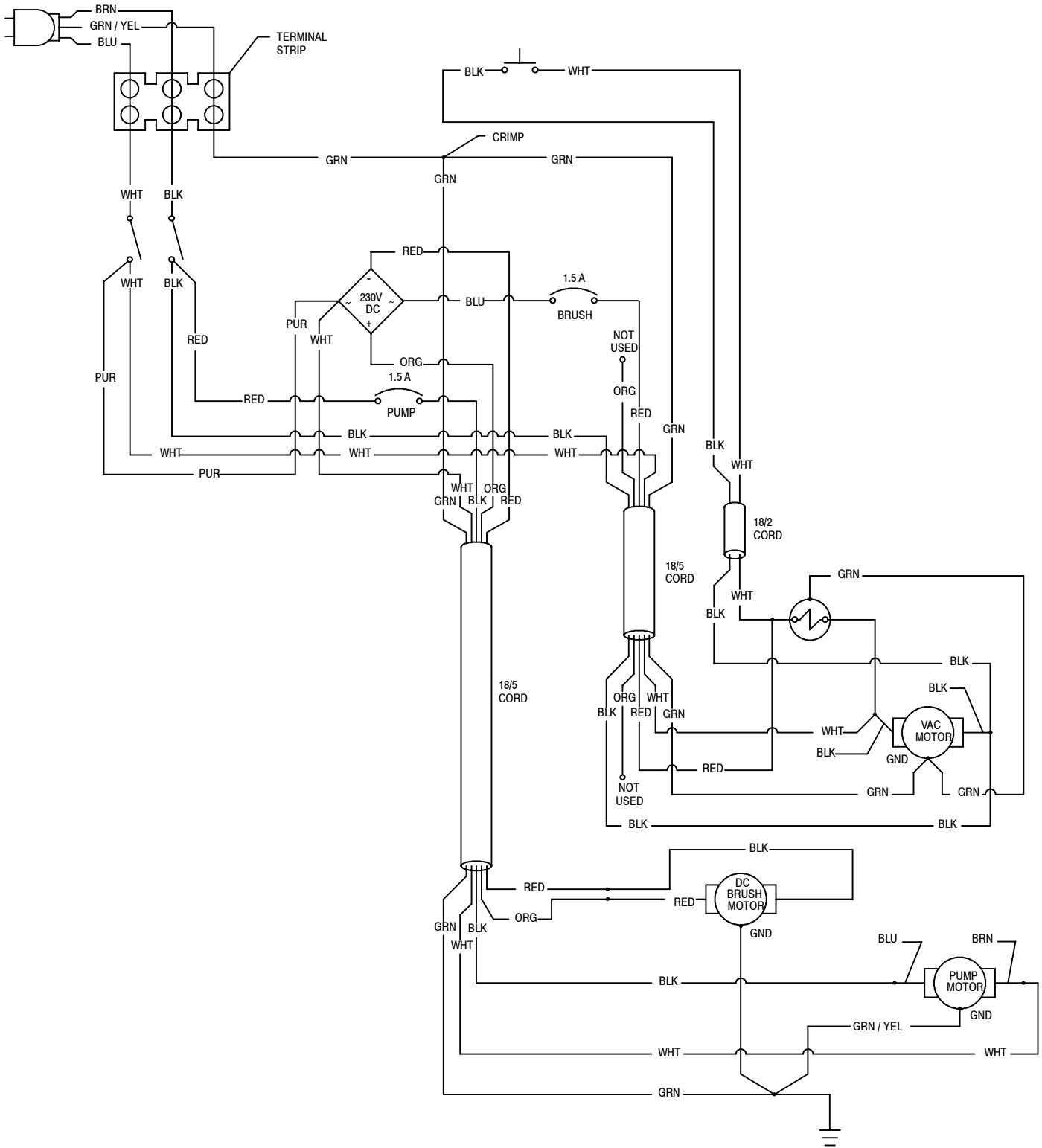
# ELECTRICAL DIAGRAMS - DIAGRAMAS ELECTRICAS - SYSTEM ÉLECTRIQUE

## 120V LADDER DIAGRAM DIAGRAMA ESCALONADO DIAGRAMME D'ÉCHELLE



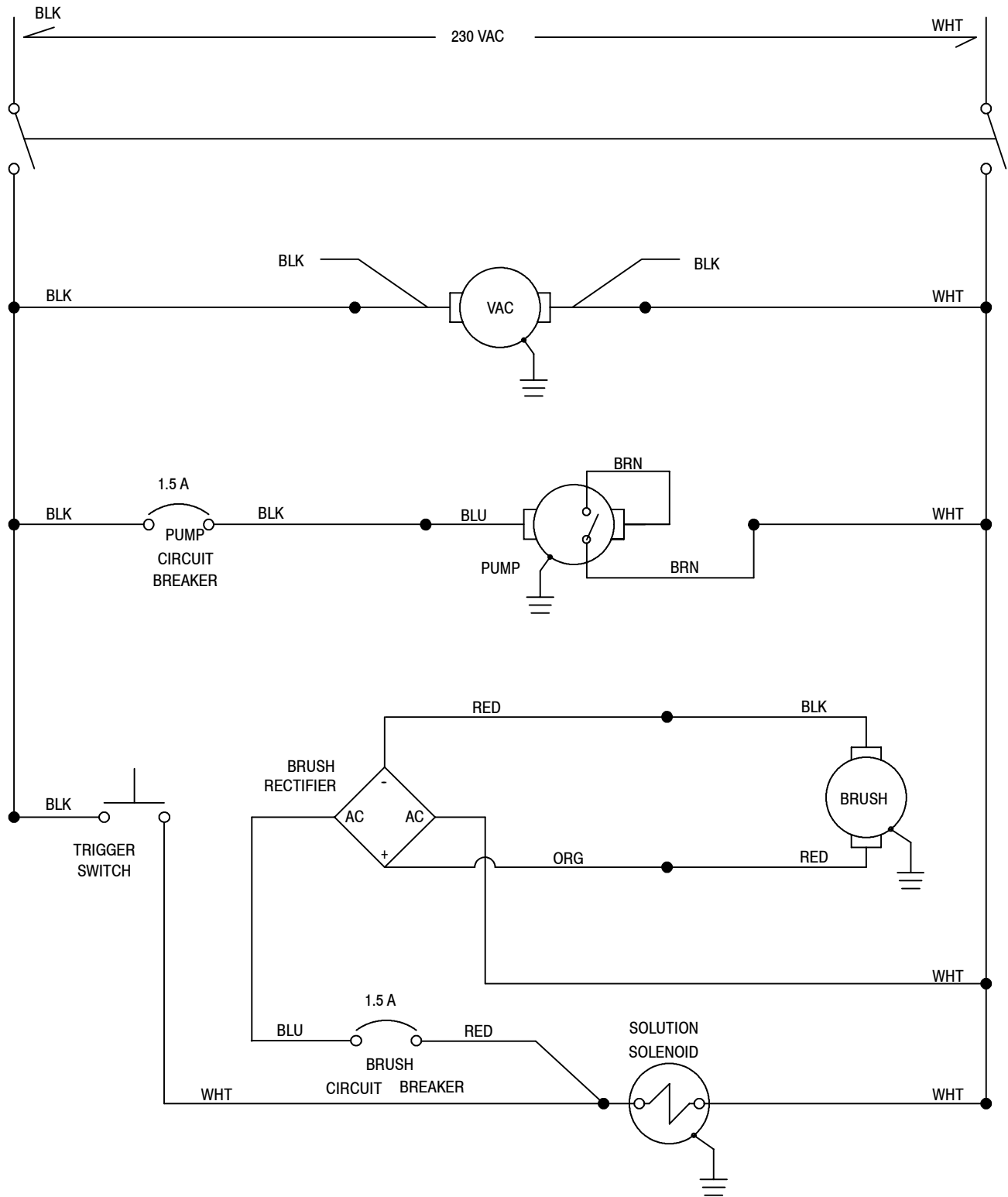
# ELECTRICAL DIAGRAMS - DIAGRAMAS ELECTRICAS - SYSTEM ÉLECTRIQUE

## 220V/230V WIRING DIAGRAM DIAGRAMA DE CABLEADO DIAGRAMME DE CÂBLAGE



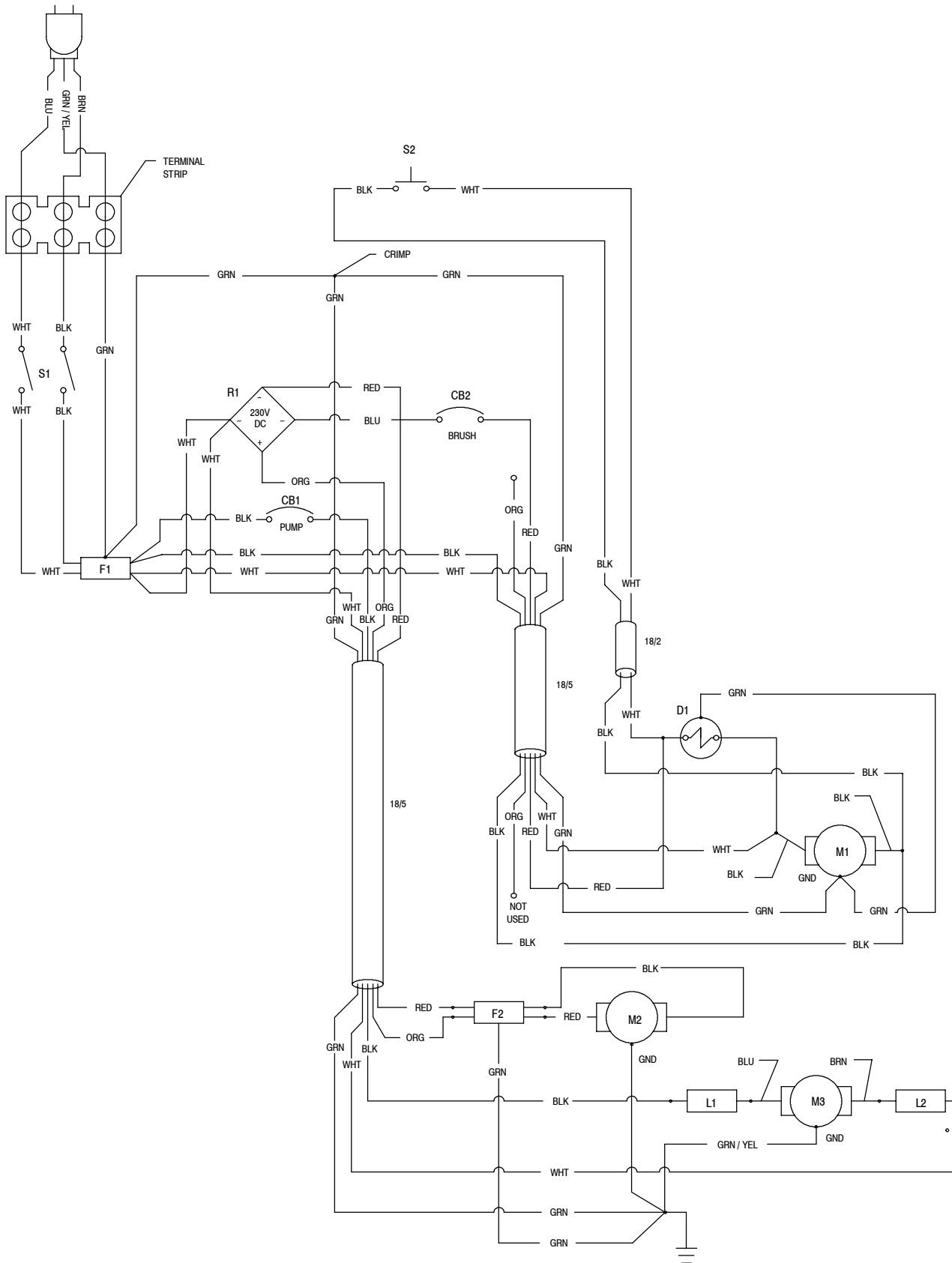
# ELECTRICAL DIAGRAMS - DIAGRAMAS ELECTRICAS - SYSTEME ELECTRIQUE

## 220V/230V LADDER DIAGRAM DIAGRAMA ESCALONADO DIAGRAMME D'ECHELLE



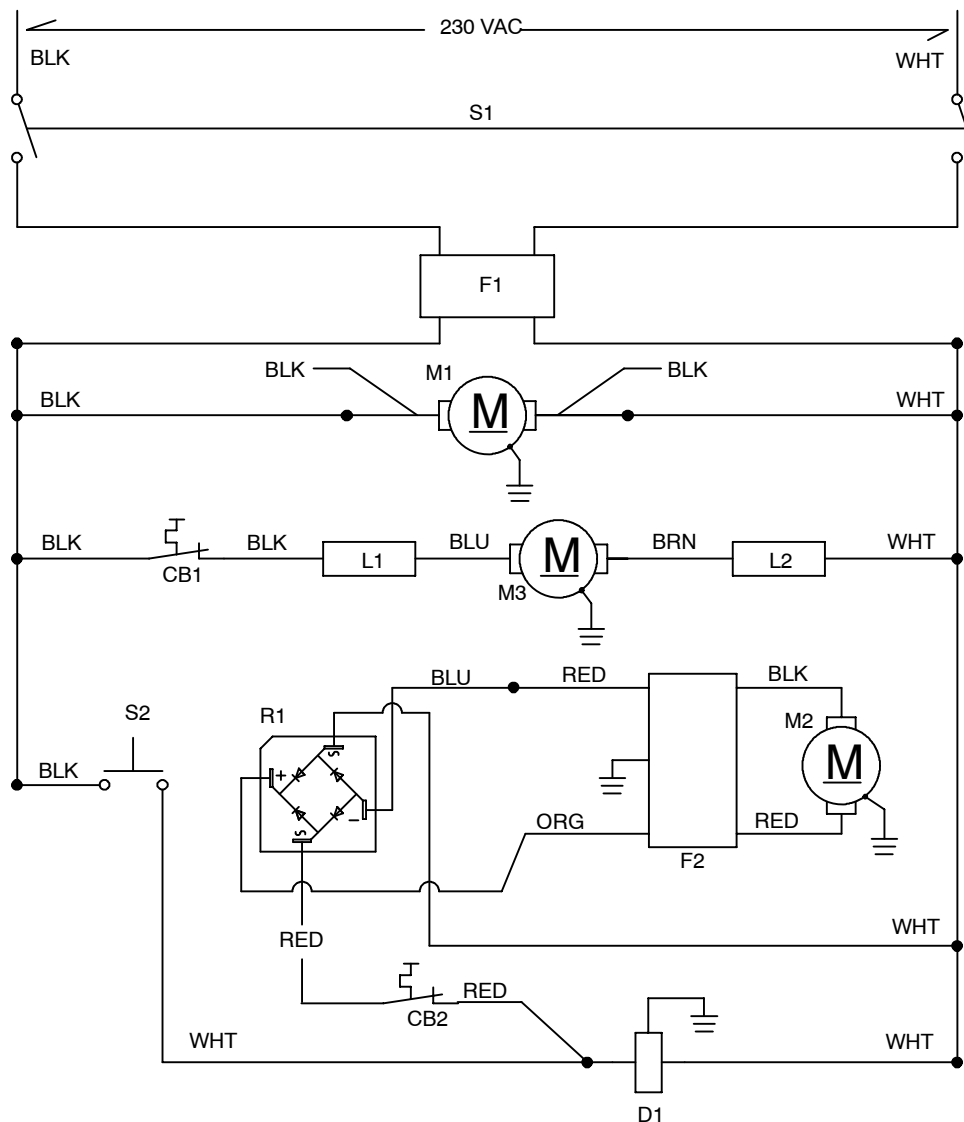
# ELECTRICAL DIAGRAMS - DIAGRAMAS ELECTRICAS - SYSTEME ELECTRIQUE

## 240V WIRING DIAGRAM DIAGRAMA DE CABLEADO DIAGRAMME DE CÂBLAGE



# ELECTRICAL DIAGRAMS - DIAGRAMAS ELECTRICAS - SYSTEM ÉLECTRIQUE

## 240V LADDER DIAGRAM DIAGRAMA ESCALONADO DIAGRAMME D'ÉCHELLE



### English REF LEGEND

BLK = Black  
 BLU = Blue  
 BRN = Brown  
 GRN = Green  
 WHT = White  
 ORG = Orange  
 RED = Red  
 YEL = Yellow  
 CB1 = Circuit Breaker, 1.5A  
 CB2 = Circuit Breaker, 1.5A  
 D1 = Solenoid, Valve Sol.  
 F 1 = Filter, RFI #600383  
 F 2 = Filter, RFI #611474  
 L1 = Choke #603641  
 L2 = Choke #603641  
 M1 = Motor, Vacuum  
 M2 = Motor, Brush  
 M3 = Motor, Pump  
 S1 = Switch, Main  
 S2 = Switch, Trigger  
 R1 = Rectifier, Brush

### Español LEYENDA

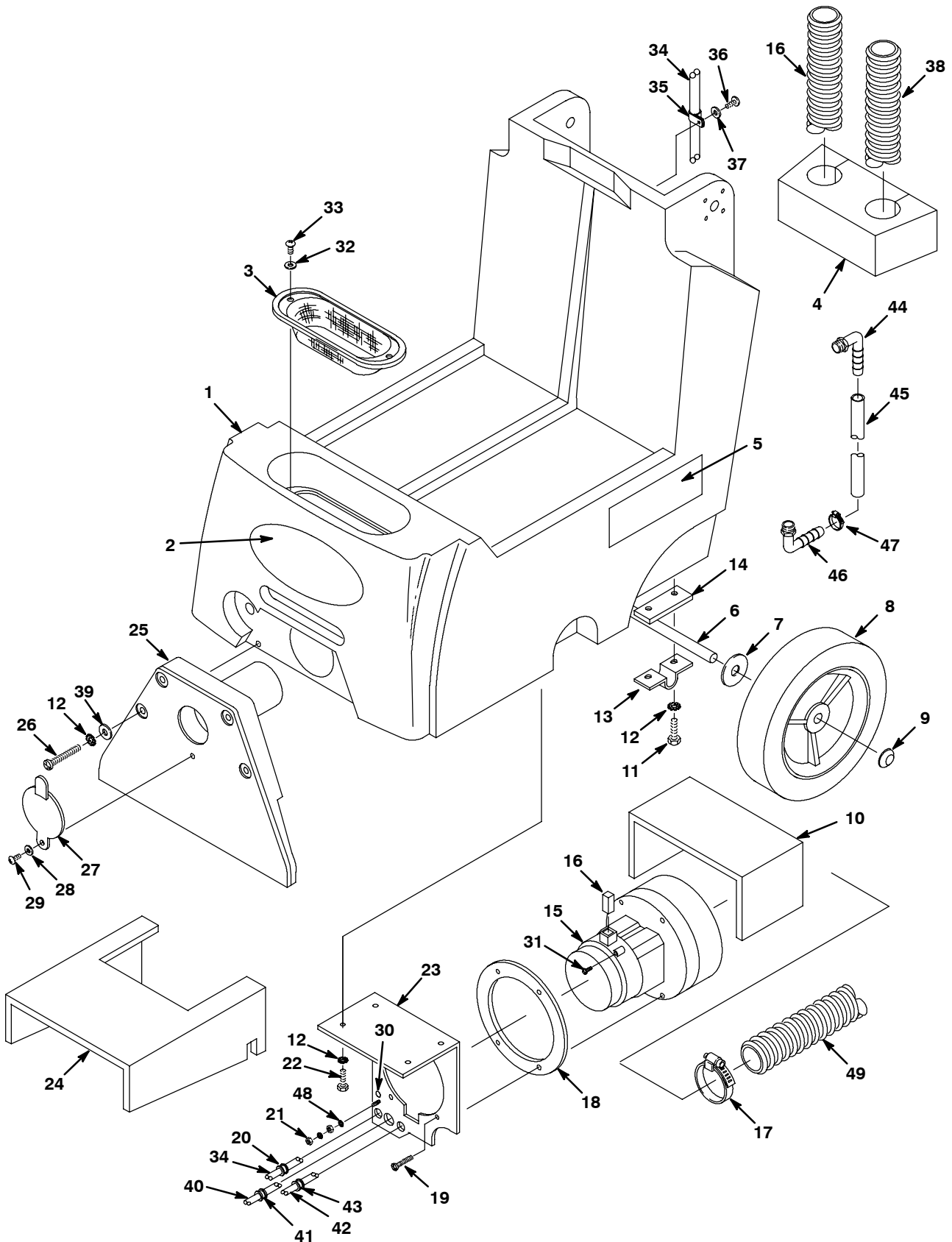
Negro  
 Azul  
 Marrón  
 Verde  
 Blanco  
 Naranja  
 Rojo  
 Yellow  
 Cortacircuitos, 1.5A  
 Cortacircuitos, 1.5A  
 Válvula de solenoide  
 Filtro, RFI  
 Filtro, RFI  
 Filtro  
 Filtro  
 Motor  
 Motor  
 Motor  
 Interruptor  
 Interruptor  
 Rectificador, Cepillo

### Français LÉGENDE

Noir  
 Bleu  
 Brun  
 Vert  
 Blanc  
 Orange  
 Rouge  
 Yellow  
 Coupe-circuit, 1.5A  
 Coupe-circuit, 1.5A  
 Soupape à solénoïde  
 Filtre, RFI  
 Filtre, RFI  
 Filtre  
 Filtre  
 Moteur  
 Moteur  
 Moteur  
 Interrupteur  
 Interrupteur  
 Redresseur, Brosse

# PARTS LIST - LISTA DE PIEZAS - LISTE DES PIÈCES

## SOLUTION TANK GROUP / GRUPO DEL TANQUE DE SOLUCION / GROUPE RESERVOIR DE SOLUTION





# PARTS LIST - LISTA DE PIEZAS - LISTE DES PIÈCES

## SOLUTION TANK GROUP / GRUPO DEL TANQUE DE SOLUCION / GROUPE RESERVOIR DE SOLUTION

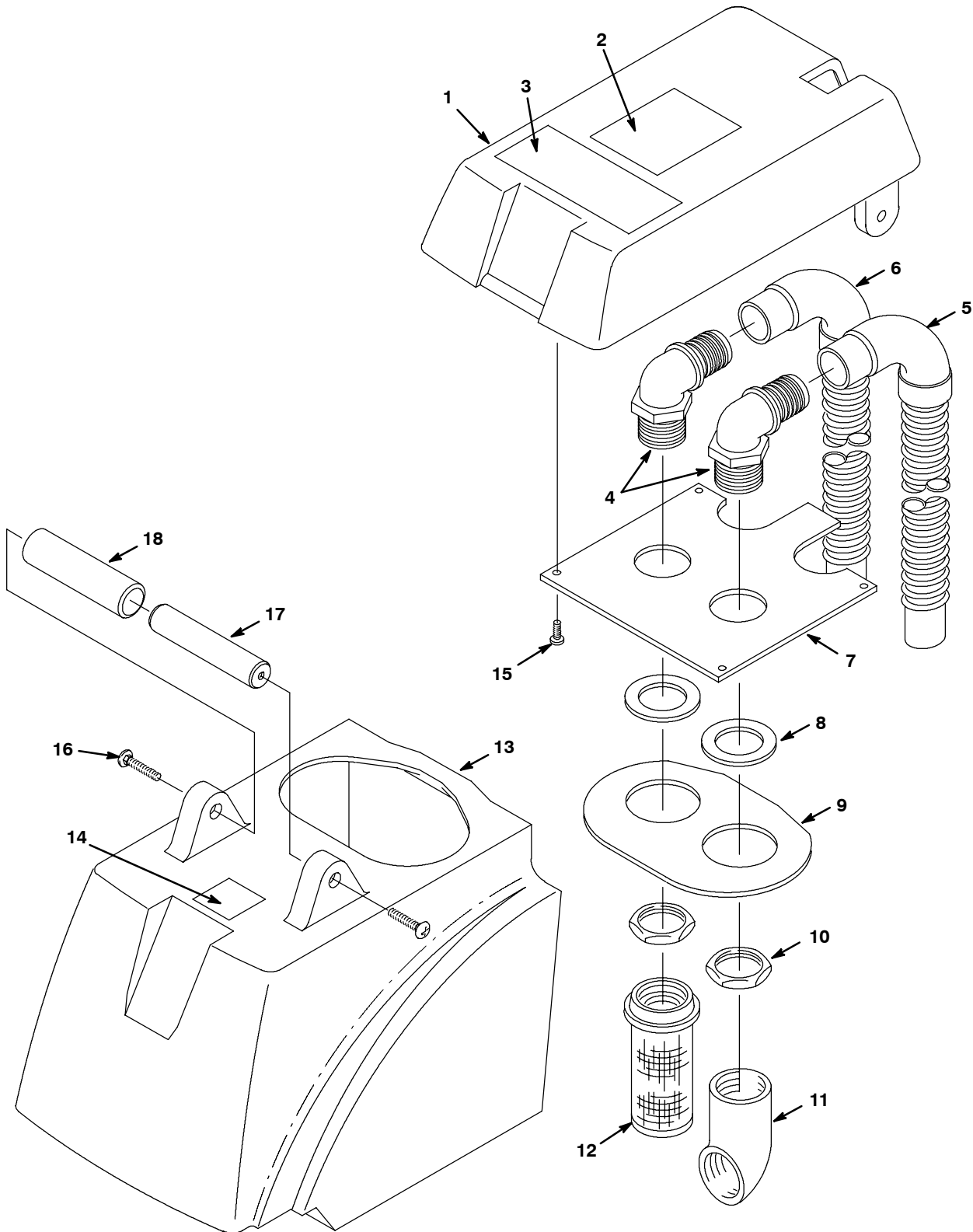
REF	PART #	DESCRIPTION	QTY.
1	608427	TANK, SOLUTION GREEN	1
2	608188	DECAL, "NOBLES"	1
3	611823	●SCREEN, STRAINER	1
4	609063	FOAM, SOUND 2 X 3-1/4 X 7-3/4	1
5	608453	DECAL, "MARKSMAN 412" SIDE	2
6	230739	AXLE, WHEEL 1/2DIA X 13-1/8	1
7	140045	WASHER, .51B 1.25D .06 FLT	2
8	607277	●WHEEL, 8.0D 1.75W GRAY	2
9	103019	CAP, HUB WHEEL .51D	2
10	607181	FOAM, SOUND 1/2 X 5 X 22	1
11	600385	SCREW, PAN M6 X 1.0 X 20 PHL	4
12	140052	WASHER, 1/4 EXT	12
13	230746	BRACKET, AXLE OFFSET	2
14	609111	PLATE, 1/4 X 2-1/2 X 1-1/4 SHIM	2
▽ 15	607179	●FAN, VACUUM, 5.7D 2S 120V QBP (-29) (120V)	1
▲ 16	190155	●BRUSH, CRBN F/130402, 18, 14 (1PC=1PACK=2BRSHS)	1
▽ 15	607281	●FAN, VACUUM, 5.7D 2S 240V QBP (-29) (220V/230V/240V)	1
▲ 16	190158	●BRUSH, CRBN (130403) (1PC=1PACK=2BRSHS)	1
17	614157	●CLAMP, HOSE 27MM TO 51MM	1
18	100143	●GASKET, VAC MOTOR	1
19	140340	SCREW, #10X5/8	4
20	14865	BUSHING	1
21	140297	NUT, M5X.8 HEX	2
22	608322	SCREW, TRS M6 X 1.0 X 16 PHL	4
23	610997	PLATE, VAC MOTOR MTG	1

REF	PART #	DESCRIPTION	QTY.
24	609064	FOAM, SOUND 1/2 X 10 X 19	1
▽ 25	607170	●TOOL, PICK-UP 13" ASSEMBLY	1
▲ 26	608324	SCREW, TRS M6 X 1.0 X 40 PHL	4
▲ 27	607183	SEAL, CAP	1
▲ 28	140011	WASHER, 3/16 FLAT	1
▲ 29	140801	SCREW, TRS 8-32 X 0.38 PHL	1
30	578859	DECAL, GROUND	1
31	140897	SCREW, HEX 10-32 X 1/4 SLOT	1
32	140032	WASHER, #6 FLAT	2
33	140826	SCREW, PAN #6X3/4 PHL SHTMTL	2
34	611305	CORD, 18/2X66" BLK (TRIGGER)	1
35	140324	CLAMP, CABLE 5/16ID	1
36	140340	SCREW, PAN #10X5/8 PHL	1
37	140011	WASHER, 3/16 FLAT	1
38	607275	HOSE, VAC 1-1/2ID X 33"	1
39	140027	WASHER, FLAT 0.31	4
40	611040	CORD, 18/5X41" BLK (VAC/SOL)	1
41	605395	BUSHING	1
42	611041	CORD, 18/5 X 54" BLK SJT (BASE)	1
43	130698	BUSHING, SNAP .50ID BLACK	1
44	609112	FITTING, 1/4MX3/8H 90 NY	1
45	608334	●HOSE, SIGHT-GAGE/DRAIN 3/8ID	1
46	150415	FITTING, PLSTC E90 PM04/BM06	1
47	140301	●CLAMP, HOSE 5/8ID EAR	1
48	140018	WASHER, LOCK INT #10	2
49	607276	HOSE, VAC 1-1/2ID X 19"	1

- ▽ ASSEMBLY / CONJUNTO / ENSEMBLE
- ▲ INCLUDED IN ASSEMBLY / INCLUIDO A CONJUNTA / Y COMPRIS EN ENSEMBLE
- RECOMMENDED STOCK ITEM / PIEZAS RECOMENDADAS EN ALMACÉN / ÉLÉMENTS DE STOCK RECOMMANDÉS

# PARTS LIST - LISTA DE PIEZAS - LISTE DES PIÈCES

## RECOVERY TANK GROUP / GRUPO DEL TANQUE DE RECUPERACION / GROUPE RESERVOIR DE RECUPERATION



# PARTS LIST - LISTA DE PIEZAS - LISTE DES PIÈCES

## RECOVERY TANK GROUP / GRUPO DEL TANQUE DE RECUPERACION / GROUPE RESERVOIR DE RECUPERATION

REF	PART #	DESCRIPTION	QTY.
▽ 1	614224	ASM., COVER, W/LABELS GREEN	1
▲ 2	611042	LABEL, INSTR	1
▲ 3	1026383	LABEL, WARN, 7X2.25AC SCRIB/ EXTR EN/FR/ES	1
4	607297	FITTING, 1-1/2MX1-1/2H90	2
5	607275	●HOSE, VAC 1-1/2IDX33"	1
6	607276	●HOSE, VAC 1-1/2IDX19"	1
7	607172	COVER, PLATE BLK	1
8	210234	●GASKET, 0.18 1.18ID 2.50OD	2

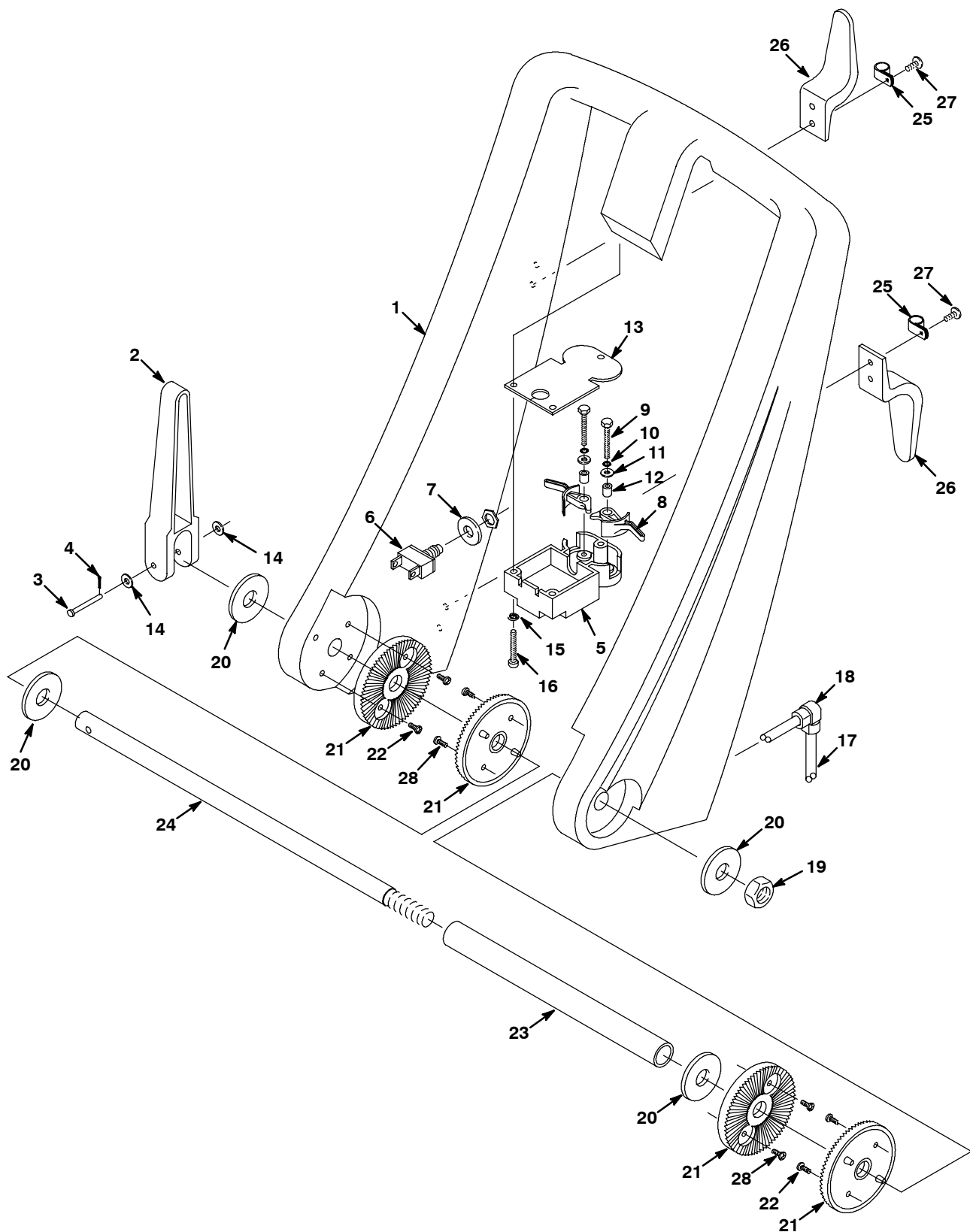
▽ ASSEMBLY / CONJUNTO / ENSEMBLE

▲ INCLUDED IN ASSEMBLY / INCLUIDO A CONJUNTA / Y COMPRIS EN ENSEMBLE

● RECOMMENDED STOCK ITEM / PIEZAS RECOMENDADAS EN ALMACÉN / ÉLÉMENTS DE STOCK RECOMMANDÉS

REF	PART #	DESCRIPTION	QTY.
9	607290	●GASKET, COVER PLATE	1
10	210240	NUT, FLANGE 1-1/2 FPT	2
11	609065	FITTING, 1-1/2F 90PVC	1
12	609531	●FLOAT, SHUT-OFF (1)BALL	1
▽ 13	614227	ASM, TANK, REC W/LABEL GRN	1
▲ 14	630420	LABEL, HZRD FLAMMABLE MATL	1
15	607006	SCREW, TRS M4 X .7 X 12 PHL	4
16	608324	SCREW, TRS M6 X 1.0 X 40 PHL	2
17	607294	BAR, 1" DIA X 4-1/2"	1
18	102569	●GRIP, FOAM 3/4ID X 4-1/4	1

**HANDLE GROUP / GRUPO DEL MANGO / GROUPE POIGNEE**



# PARTS LIST - LISTA DE PIEZAS - LISTE DES PIÈCES

## HANDLE GROUP / GRUPO DEL MANGO / GROUPE POIGNEE

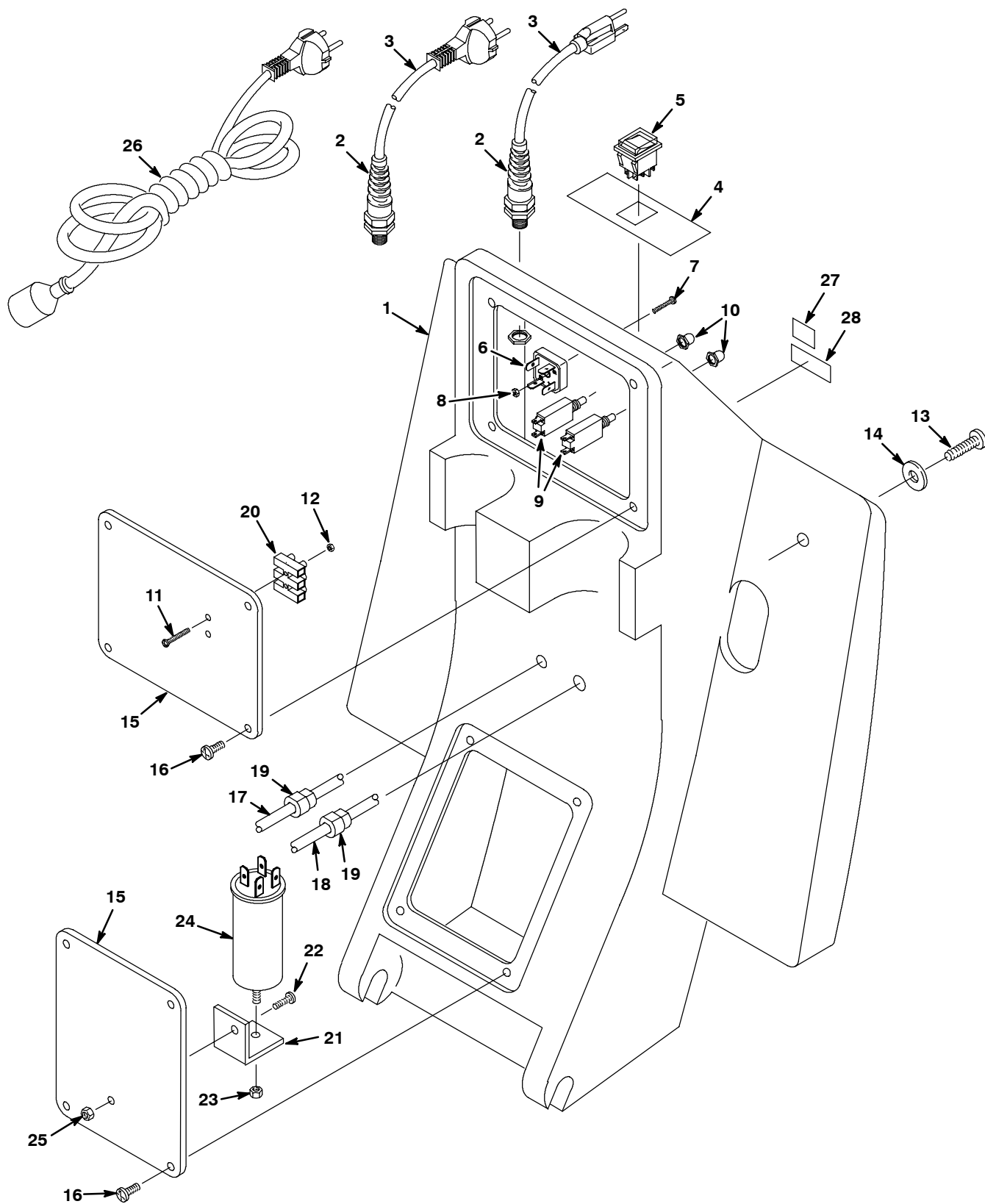
REF	PART #	DESCRIPTION	QTY.
1	608442	HANDLE, GREEN	1
2	607315	●LEVER, CAMLOCK	1
3	607278	PIN, CLEVIS	1
4	39005	PIN, COTTER .094 X 0.75	1
▽	611469	ASSEMBLY, CONSOLE, TRIGGER	1
▲	601429	CONSOLE, TRIGGER	1
▲	130712	SWITCH, MOMENTARY PULSE	1
▲	578430	WASHER, 1/2" SPRING-DISC	1
▲	578002000	ARM, TRIGGER CONTROL BOX	2
▲	069764190	SCREW, HEX M3X.5X16	2
▲	200662012	WASHER, M3 INT	2
▲	578186000	WASHER, M4.3X12X1.0 FLAT	2
▲	578082000	SPACER, .14 X .31 X .44 NY	2
13	606349	GASKET, TRIGGER CONSOLE	1
14	140011	WASHER, 3/16 FLAT	2

REF	PART #	DESCRIPTION	QTY.
15	140023	WASHER, #8 INT	3
16	200070354	SCREW, PAN M4X.7X30 PHL	3
17	611305	CORD, 18/2X66" BLACK	1
18	608323	BUSHING, STRAIN-RELIEF	1
19	08711	NUT, HEX LOCK M12 X 1.75 NL	1
20	140045	WASHER, 0.51B 1.25D .06 FLT	4
21	607175	●SERRATED PAD, PIVOT HANDLE	4
22	609062	SCREW, TRS M5X.8X12 PHL	4
23	608419	TUBE, 1/2ID X 5/8OD X 7-3/8	1
24	607177	SHAFT, 1/2DIA X 13-1/8 PIVOT	1
25	140324	CLAMP, CORD 5/16ID BLACK	2
26	230920.BK	HOOK, CORD BLACK	2
27	607006	SCREW, TRS M4X.7X12 PHL	4
28	608322	SCREW, TRS M6X1.0X16 PHL	4

- ▽ ASSEMBLY / CONJUNTO / ENSEMBLE
- ▲ INCLUDED IN ASSEMBLY / INCLUIDO A CONJUNTA / Y COMPRIS EN ENSEMBLE
- RECOMMENDED STOCK ITEM / PIEZAS RECOMENDADAS EN ALMACÉN / ÉLÉMENTS DE STOCK RECOMMANDÉS

# PARTS LIST - LISTA DE PIEZAS - LISTE DES PIÈCES

## REAR PANEL GROUP / GRUPO DEL PANEL POSTERIOR / GROUPE PANNEAU ARRIERE



# PARTS LIST - LISTA DE PIEZAS - LISTE DES PIÈCES

## REAR PANEL GROUP / GRUPO DEL PANEL POSTERIOR / GROUPE PANNEAU ARRIERE

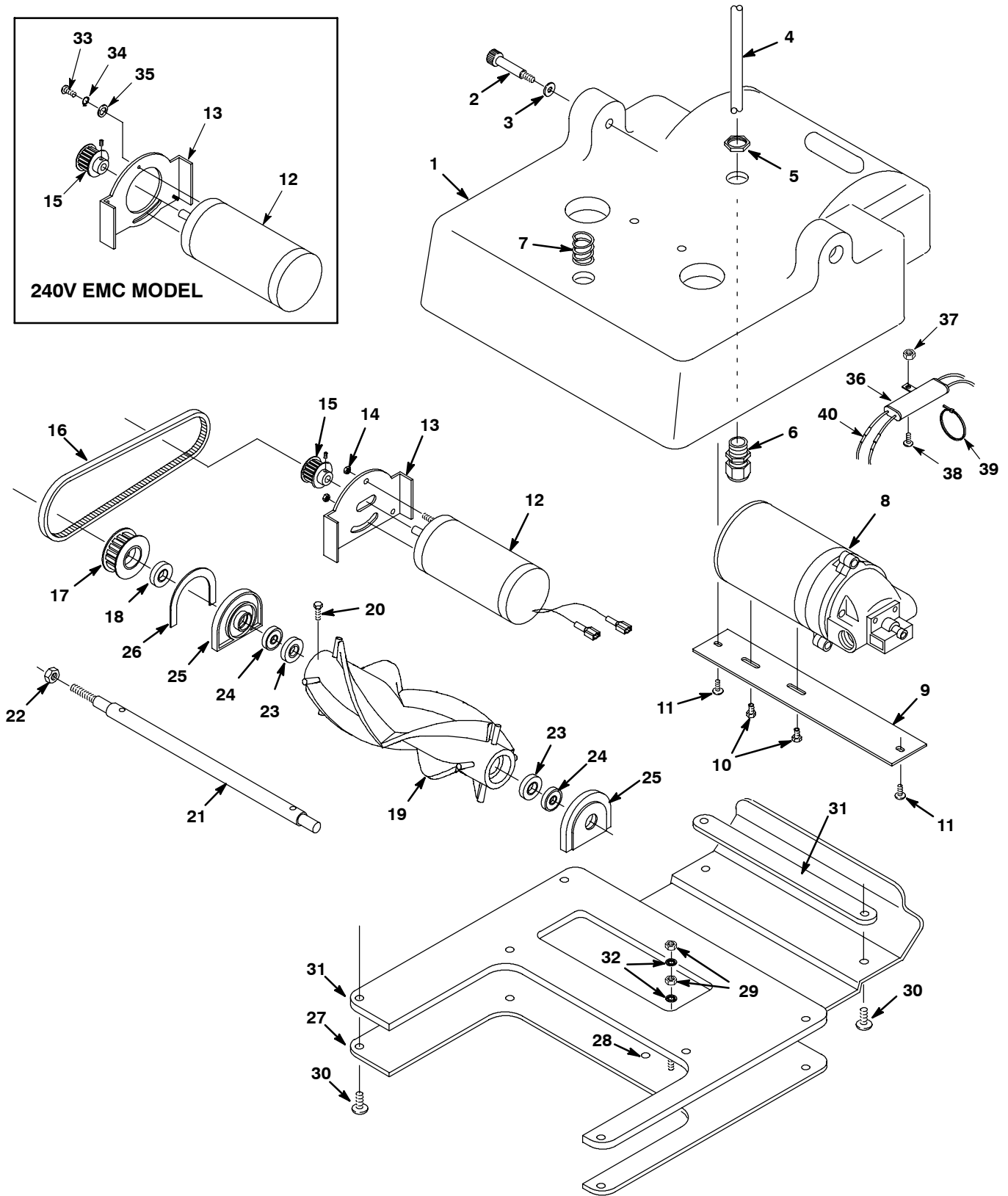
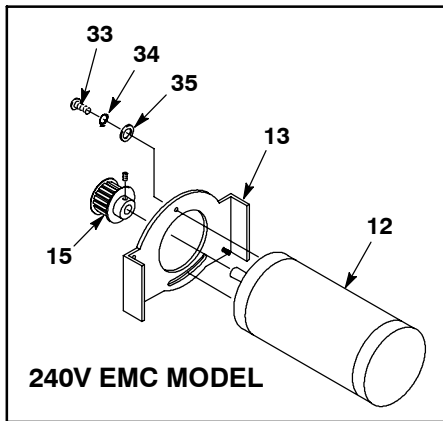
REF	PART #	DESCRIPTION	QTY.
1	608446	PANEL, REAR RM-BLACK	1
2	130166	●GRIP, STRAIN-RELIEF W/NUT	1
3	130222	●CORD, 16/3X25' YELLOW (120V)	1
	600324	●CORD, 3X1.5MM 2X15M BLK (220V/230V)	1
	609930	●CORD, 1.5MM2/3, W/RECEPTACLE, BLK (240V EMC MODEL)	1
4	611044	DECAL, "SWITCH"	1
5	602670	●SWITCH, ROCKER DPST CVR	1
6	130304	●RECTIFIER, BRIDGE 600V 15AMP	1
7	140335	SCREW, RND 10-24X1 SLOT	1
8	140336	NUT, HEX 10-24 NY	1
9	578337000AM	●BREAKER, CIRCUIT 1.5A	2
10	578734	●SEAL, SPLASH CRCT BREAKER	2
11	140879	SCREW, 6-32X3/4 (220V/230V/240V)	2
12	140534	NUT, 3-32 (220V/230V/240V)	2
13	600385	SCREW, PAN M6X1.0X20 PHL	2
14	140027	WASHER, FLAT .31	2
15	608420	COVER, PLATE	2

REF	PART #	DESCRIPTION	QTY.
16	607006	SCREW, TRS M4X.7X12 PHL	8
17	611040	CORD, 18/5X41" BLK (VAC/SOL)	1
18	611041	CORD, PWR18/5X54" BLK (BASE)	1
19	605395	BUSHING, STRAIN-RELIEF	2
20	130005	TERMINAL, 3POS STRIP 25AMP (220V/230V/240V)	1
21	603957	BRACKET, FILTER RFI (240V EMC MODEL)	1
22	607006	SCREW, TRS, M4 X 0.7 X 12, PHL, ZN (240V EMC MODEL)	1
23	200640017	NUT, HEX, STD, M8 X 1.25, SS (240V EMC MODEL)	1
24	600383	●FILTER, RFI (240V EMC MODEL)	1
25	200633014	NUT, HEX, STD, M4 X 0.7, SS (240V EMC MODEL)	1
26	609931	●CORD, EXTN, 1.5MM2/3 15M BLK (EURO) (240V EMC MODEL)	1
27	-	LABEL, CE (240V EMC MODEL)	1
28	-	LABEL, EMC APPROVED (240V EMC MODEL)	1

- RECOMMENDED STOCK ITEM / PIEZAS RECOMENDADAS EN ALMACÉN / ÉLÉMENTS DE STOCK RECOMMANDÉS

# PARTS LIST - LISTA DE PIEZAS - LISTE DES PIÈCES

## BRUSH GROUP / GRUPO DEL CEPILLO / GROUPE BROSE





# PARTS LIST - LISTA DE PIEZAS - LISTE DES PIÈCES

## BRUSH GROUP / GRUPO DEL CEPILLO / GROUPE BROSE

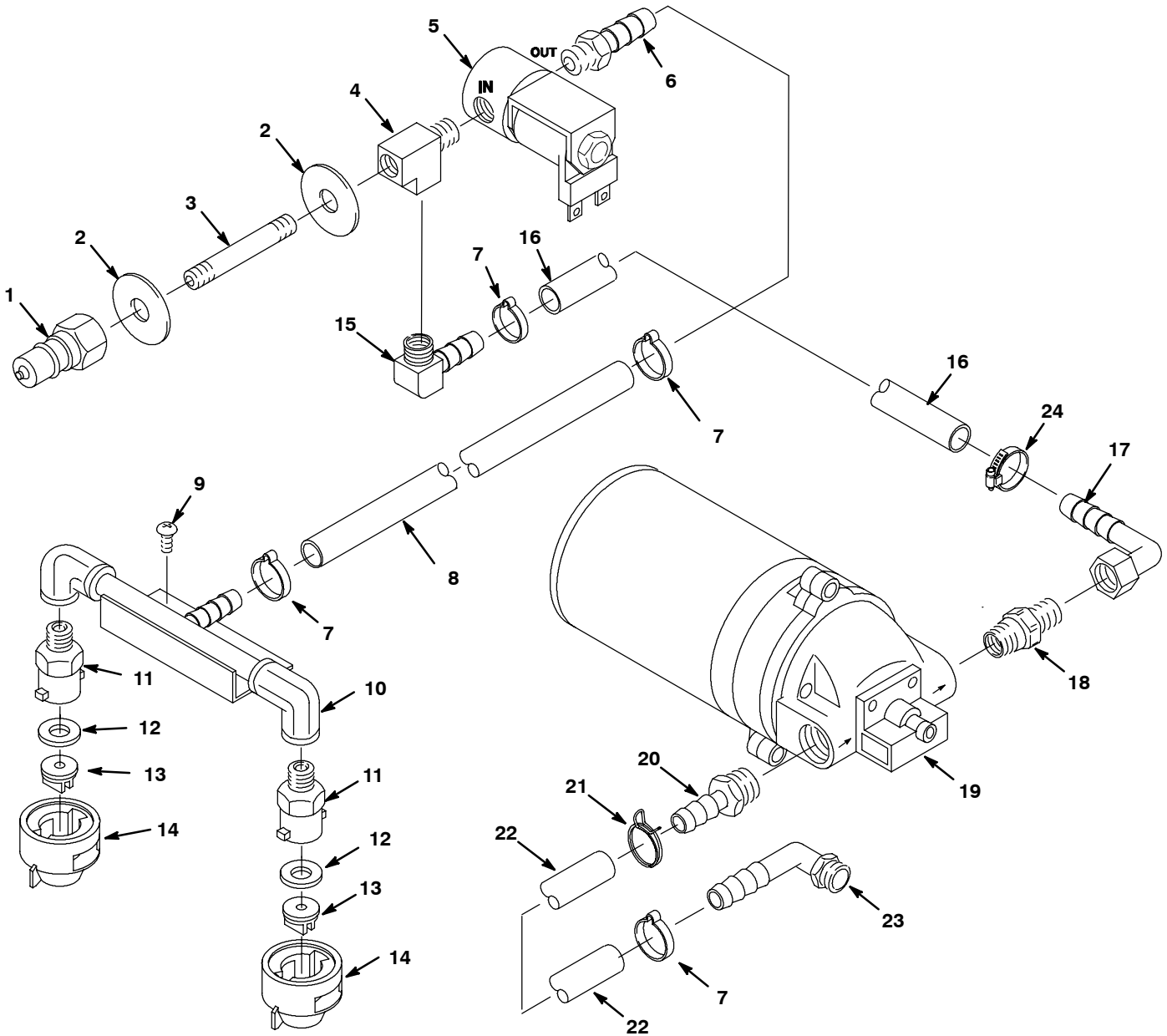
REF	PART #	DESCRIPTION	QTY.	
1	610995	BASE, BRUSH 13" BLACK	1	
2	1024965	BOLT, SHLD, 8MMD X 30, M6X1.0	2	
3	140027	WASHER, 5/16 FLT	2	
4	611041	CORD, 18/5X54" BLACK	1	
5	140638	NUT, CONDUIT 1/2 NPT BLACK	1	
6	130181	BUSHING, STRAIN-RELIEF	1	
7	611039	SPRING, COMPRESSION	1	
8	606778	●PUMP, SOLUTION 65PSI 120V	1	
	611975	●PUMP, SOLUTION 65PSI 230V	1	
9	610958	PLATE, PUMP MTG	1	
10	140751	SCREW, 10-32 X 1/2 HXHD	2	
11	607006	SCREW, TRS M4 X .7 X 12 PHL	2	
12	1019015	●MOTOR, ELE, 115VDC .125HP 3IN (120V)	1	
	130472	●MOTOR, ELE, 220VDC HP BRUSH DRIVE (220V/230V)	1	
	575729	●MOTOR, BRUSH 230VAC 843P-5 (240V EMC MODEL)	1	
13	230366	PLATE, BRUSH MOTOR MOUNT (120V/220V/230V)	1	
	611032	PLATE, BRUSH MTR MTG (240V EMC MODEL)	1	
14	140518	NUT, HEX 10-32 KEP SS (120V/220V/230V)	2	
15	230506	●PULLEY, DRIVE 1/5P 5/16BORE	1	
16	230507	●BELT, DRIVE SYNC 0.38 1/5P 18L	1	
▽	613989	●KIT, REPLACEMENT BRUSH	1	
▲	17	230505	●PULLEY, DRIVE 1/5P 5/16BORE	1
▲	18	230363	SPACER, .62 X .33 X .16	1
▲	19	1006441	●BRUSH, 13" 4 ROW CHEVRON	1
▲	20	24672	SCREW, HEX .25-20X0.75	4

REF	PART #	DESCRIPTION	QTY.	
▲	21	230275	SHAFT, BRUSH 13"	1
▲	22	140548	NUT, 5/16 FINJAM	1
▲	23	100049	●SEAL, BRUSH BEARING	2
▲	24	140125	●BEARING, BRUSH	2
▲	25	230261	●BLOCK, BRUSH BEARING	2
▲	26	100005	●GASKET, BEARING BLOCK	1
	27	610986	PLATE, BRUSH BASE	1
	28	578859	DECAL, GROUND	1
	29	140297	NUT, HEX M5X.8	2
	30	609062	SCREW, M5X.8X12	8
31	610987	GASKET, BASE PLATE .12THK EPDM (120V/220V/230V)	1	
	610987	GASKET, BASE PLATE .12THK EPDM (240V EMC MODEL)	2	
32	140018	WASHER, LOCK INT #10	2	
33	140801	SCREW, TRS, #08-32 X 0.38, PHL (240V EMC MODEL)	2	
34	02938	WASHER, LOCK, INT, 08 SS (240V EMC MODEL)	2	
35	140011	WASHER, FLAT, 0.21B 0.45D .03, SS (240V EMC MODEL)	2	
36	613147	●FILTER, RFI, ASSY, 240V KEMA (240V EMC MODEL)	1	
37	200633014	NUT, HEX, STD, M4 X 0.7, SS (240V EMC MODEL)	1	
38	607006	SCREW, TRS, M4 X 0.7 X 12, PHL, ZN (240V EMC MODEL)	1	
39	130040	TIE, CABLE, NYL, 06.0L .12W (240V EMC MODEL)	2	
40	603641	●FILTER, CHOKE, RFI (240V EMC MODEL)	2	

- ▽ ASSEMBLY / CONJUNTO / ENSEMBLE
- ▲ INCLUDED IN ASSEMBLY / INCLUIDO A CONJUNTA / Y COMPRIS EN ENSEMBLE
- RECOMMENDED STOCK ITEM / PIEZAS RECOMENDADAS EN ALMACÉN / ÉLÉMENTS DE STOCK RECOMMANDÉS

# PARTS LIST - LISTA DE PIEZAS - LISTE DES PIÈCES

## SOLUTION GROUP / GRUPO DE SOLUCION / GROUPE SOLUTION



# PARTS LIST - LISTA DE PIEZAS - LISTE DES PIÈCES

## SOLUTION GROUP / GRUPO DE SOLUCION / GROUPE SOLUTION

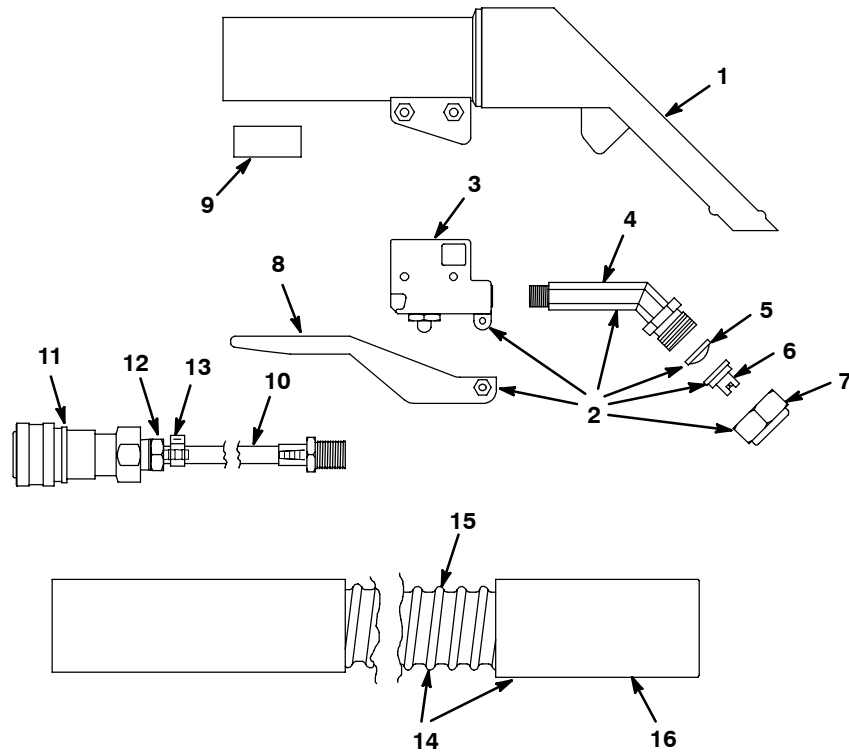
REF	PART #	DESCRIPTION	QTY.
1	150933	FITTING, BRS QDC/04PM SER 60	1
2	140008	WASHER, FLT .570 X 1.28 X 0.75	2
3	150618	FITTING, 1/4MX3" NIPPLE BRS	1
4	150709	FITTING, BRS TEE 04PF/04PF/04PF	1
5	210033	●VALVE, SOLENOID 120V 60 HZ (120V)	1
	210036	●VALVE, SOLENOID 220V 50 HZ (220V/230V)	1
	210260	●VALVE, SOLENOID 240V 50HZ AUS (240V EMC MODEL)	1
6	150516	FITTING, BRS STR 04PM/06BM	1
7	140301	●CLAMP, HOSE	5
8	609434	HOSE, 3/8IDX5/8ODX10.5"	1
9	609062	SCREW, TRS M5X.8X12	2
10	608421	TUBE, NOZZLE	1
11	575281000	●BODY, QUICK-JET	2
12	575276000	●GASKET, QUICK-JET	2

REF	PART #	DESCRIPTION	QTY.
13	200964	●FITTING, TIP 11003	2
14	575282000	●CAP, QUICK-JET	2
15	150419	FITTING, 1/4MX3/8H ELB 90 BRS	1
16	606163	HOSE, 3/8IDX5/8ODX19"	1
17	611010	FITTING, 1/2FX3/8H BARB SWIVEL	1
18	611009	FITTING, 3/8MX1/2M REDUCER	1
19	606778	●PUMP, SOLTN, ELE, 120VAC 65PSI INT-BYP (120V)	1
	611975	●PUMP, SOLTN, ELE, 230VDC 65PSI INT-BYP (220V/230V/240V)	1
20	150538	FITTING, 3/8MX3/8H	1
21	607775	CLAMP, HOSE 0.63X0.66 2 WIRE	1
22	606163	HOSE, 3/8IDX5/8ODX18"	1
23	150415	FITTING, 1/4MX3/8H	1
24	54333	CLAMP, HOSE WORM 0.31-0.88	1

- RECOMMENDED STOCK ITEM / PIEZAS RECOMENDADAS EN ALMACÉN / ÉLÉMENTS DE STOCK RECOMMANDÉS

# OPTIONS - OPCIONES - ÉQUIPEMENT AU CHOIX

## HAND TOOL / HERRAMIENTA MANUAL / OUTIL A MAIN



REF	PART #	DESCRIPTION	QTY.
▽	701403	●ASM., HAND TOOL COMPLETE W/SER60 COUPLER AND BAG	1
▲	608901	●TOOL, HAND W/ TRIGGER ASM.	1
▲ 1	608891	●TOOL, HAND W/O TRIGGER ASM.	1
▲▽ 2	608899	ASM., TRIGGER HAND TOOL	1
▲ 3	608894	BODY, VALVE HAND TOOL	1
▲ 4	608895	NOZZLE, SPRAY HAND TOOL	1
▲ 5	608900	●SCREEN, HAND TOOL	1
▲ 6	608896	●FITTING, TIP, SPRAY 11003 BLUE	1
▲ 7	608897	●CAP, SPRAY TIP HAND TOOL	1
▲ 8	608898	TRIGGER, HAND TOOL	1

REF	PART #	DESCRIPTION	QTY.
▲ 9	608892	SEAL, SOLUTION HOSE	1
▲ 10	606250	●HOSE, SOLUTION 1/8ID X 105"	1
▲ 11	150913	●FITTING, BRS QDC PF04 FEM SER60	1
▲ 12	150514	FITTING, 1/4M X 1/8H BARB BRASS	1
▲ 13	140349	CLAMP, HOSE .318- .374 EAR	1
▲▽ 14	613394	●ASM., VAC HOSE, I-HELIX W/ ONE CUFF	1
▲ 15	613393	●HOSE, VACUUM, I-HELIX 1.25"ID X 88"LG	1
▲ 16	609440	●CUFF, 1.5SLIP X 1.25THD BLK	1
▲N/S	220040	●BAG, HOSE W/DRAW STRING	1

▽ ASSEMBLY / CONJUNTO / ENSEMBLE

▲ INCLUDED IN ASSEMBLY / INCLUIDO A CONJUNTA / Y COMPRIS EN ENSEMBLE

● RECOMMENDED STOCK ITEM / PIEZAS RECOMENDADAS EN ALMACÉN / ÉLÉMENTS DE STOCK RECOMMANDÉS

N/S= NOT SHOWN / NO INDICADO / NON MONTRÉ